



SECTION 3 PLUMBING VALVES



PRODUCT LINE	PAGE
Ball Valves	
Brass, Stainless Steel	1-3
CPVC Molded -in-Place Ball Valves	16
PVC Molded -in-Place Ball Valves	15
PVC Single Union Ball Valves	17-18
PVC True Union Ball Valves	19-20
Butterfly Valves	23-27
Butterfly Valve Accessories, Installation Kits	26-27
Cast Iron Butterfly Valves	23-24
PVC Butterfly Valves	25
Flanges	26
Float Valves, Bronze	4
Gate Valves	5
Plumbing Valves, Low Pressure	7-8
Celcon, PVC & CPVC	9-10
Slice Gate Valves	21-22
Swing Check Valves	6
Wall Hydrants	11-13



American Granby Inc.™

www.americangranby.com
In the United States: Phone (800) 776-2266 Fax (800) 729-3299
In Canada: Phone (866) 503-5523 Fax (888) 562-2095



Ball Valves - Brass



HFBV6 Series



ISO 9001

MATERIAL SPECIFICATIONS	
Handle nut	Zinc Coated Steel
Handle	Zinc Coated Steel
Gland Follower	Forged Brass
Stem Packing	Teflon®
Ball	Chrome Plated Brass
Seats	Teflon®
Body	Forged Brass
End Adapter	Forged Brass

Teflon® is a Dupont registered trademark

Forged Brass Full Port Ball Valve Features:

- Heavy pattern forged brass construction.
- Full port allows maximum flow & minimum pressure drop or turbulence.
- Teflon® seats, chrome plated brass ball.
- Teflon® stem packing with adjustable gland follower.
- Blow out proof stem design.
- **600 PSI W.O.G. non-shock; 150 PSI S.W.P.** (400 PSI 2 1/2", 3" 4")
- **CSA Certified, UL Listed.**
- Imported, Manufactured for American Granby in an ISO 9001 facility.

DIMENSIONS (IN.)	SIZE	A (S/T)	B (S/T)	C	D (S/T)
	1/4"	1.79/1.76	1.73/1.73	3.54	.32/.39
	3/8"	1.91/1.76	1.73/1.73	3.54	.39/.39
	1/2"	2.05/2.05	1.84/1.92	3.54	.58/.58
	3/4"	2.75/2.36	2.00/2.09	3.78	.75/.75
	1"	3.23/2.76	2.44/2.56	4.53	.95/.95
	1 1/4"	3.82/3.31	2.85/2.95	4.53	1.26/1.26
	1 1/2"	4.43/3.66	3.17/3.35	5.51	1.58/1.58
	2"	5.32/4.18	3.45/3.68	5.51	1.94/1.94
	2 1/2"	6.28/5.36	4.76/4.76	8.66	2.52/2.52
	3"	7.15/6.04	5.08/5.08	8.66	2.95/2.95
	4"	9.28/7.39	5.87/5.87	9.61	3.90/3.90

Part Number	Threaded	Size	Ctn/Case Qty	List Price Threaded	Part Number	List Price
HFBV6-25T		1/4"	50/100	\$ 8.66		
HFBV6-38T		3/8"	50/100	8.50		
HFBV6-50T		1/2"	50/100	11.76	HFBV6-50S	\$ 10.48
HFBV6-75T		3/4"	30/60	17.58	HFBV6-75S	16.51
HFBV6-100T		1"	20/40	27.79	HFBV6-100S	26.19
HFBV6-125T		1- 1/4"	12/24	42.22	HFBV6-125S	43.56
HFBV6-150T		1-1/2"	9/18	65.20	HFBV6-150S	61.99
HFBV6-200T		2"	6/12	95.12	HFBV6-200S	82.19
HFBV6-250T		2-1/2"	2/4	214.45		
HFBV6-300T		3"	2/4	279.27		
HFBV6-400T		4"	2	526.62		



HDBV Series

ISO 9001

MATERIAL SPECIFICATIONS and DIMENSIONS
Same as HFBV6 Series above

Forged Brass Full Port Drainable Ball Valve Features:

- Heavy pattern forged brass construction.
- Full port allows maximum flow & minimum pressure drop or turbulence.
- Drain feature allows water line to be drained to prevent freeze-up.
- Teflon® seats, chrome plated brass ball.
- Teflon® stem packing with adjustable gland follower.
- Blow out proof stem design.
- **600 PSI W.O.G. non-shock.**
- Imported, Manufactured for American Granby in an ISO 9001 facility.

Part Number	Threaded	Size	Ctn/Case Qty	List Price Threaded	Part Number	List Price
-		1/2"	10/100		HDBV50S	\$ 15.57
HDBV75T		3/4"	5/60	22.55	HDBV75S	22.55
HDBV100T		1"	6/36	31.43	HDBV100S	33.20

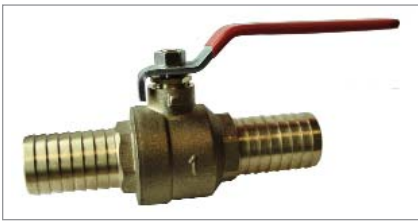


In the United States: Phone (800) 776-2266 Fax (800) 729-3299
 In Canada: Phone (866) 503-5523 Fax (888) 562-2095

www.americangranby.com

9/7/11

Ball Valves - Brass



HFBV6-I Series

ISO 9001

MATERIAL SPECIFICATIONS	
Handle nut	Zinc Coated Steel
Handle	Zinc Coated Steel
Gland Follower	Forged Brass
Stem Packing	Teflon®
Ball	Chrome Plated Brass
Seats	Teflon®
Body	Forged Brass
End Adapter	Forged Brass

Forged Brass FULL Port Ball Valve with Hose Barbs Features:

- Heavy pattern, full port, forged brass construction.
- Teflon® seats, chrome plated brass ball.
- Teflon® stem packing with adjustable gland follower.
- Blow-out proof stem design.
- **600 psi W.O.G.** non-shock; **150 psi S.W.P.**
- Insert hose barb ends for use with polyethylene pipe connections.
- Imported. Manufactured for American Granby in an ISO 9001 facility.



Part Number	Size	Ctn/Case	
		Qty	List Price
HFBV6-50I	1/2"	50/100	\$ 15.61
HFBV6-75I	3/4"	30/60	24.11
HFBV6-100I	1"	20/40	32.39
HFBV6-125I	1-1/4"	12/24	54.47



HFBV4-PEX Series

ISO 9001

MATERIAL SPECIFICATIONS	
Handle Nut	Chrome Plated Steel
Handle	Chrome Plated Steel
Stem O-rings	Rubber
Stem	Forged Brass
Ball	Chrome Plated Brass
Seats	PTFE
Body	Forged Brass
End Adapter	Forged Brass

Forged Brass FULL Port Ball Valve with PEX Connections Features:

- Heavy pattern, full port, forged brass construction.
- Teflon® seats, chrome plated brass ball.
- Double o-ring stem seal.
- Blow-out proof stem design.
- **400 psi W.O.G.** non-shock; **125 psi S.W.P.**
- PEX ends for use with PEX tubing connections.
- NSF/ANSI 61 certified.
- Imported. Manufactured for American Granby in an ISO 9001 facility.



Part Number	Size	Ctn/Case	
		Qty	List Price
HFBV4-38PEX	3/8"	25/100	\$ 6.80
HFBV4-50PEX	1/2"	25/100	6.90
HFBV4-75PEX	3/4"	10/60	9.55
HFBV4-100PEX	1"	10/40	20.30



IBV Series

ISO 9001

MATERIAL SPECIFICATIONS	
Handle Nut	Zinc Coated Steel
Handle	Zinc Coated Steel
Stem O-Rings	NBR
Stem	Forged Brass
Ball	Chrome Plated Brass
Seats	Teflon®
Body	Forged Brass
End Adapter	Forged Brass

Forged Brass Conventional Port Ball Valve Features:

- Regular pattern conventional port, forged brass construction.
- Teflon® seats, chrome plated brass ball.
- Double o-ring stem seal.
- Blow-out proof stem design.
- **400 PSI W.O.G** non-shock, **125 PSI S.W.P.**
- Imported. Manufactured for American Granby in an ISO 9001 facility.

Threaded		Sweat		Ctn/Case	
Part Number	Part Number	Size	Qty	List Price	
IBV50T	IBV50S	1/2"	16/128	\$ 11.17	
IBV75T	IBV75S	3/4"	10/100	16.70	
IBV100T	IBV100S	1"	12/48	26.40	
IBV125T	IBV125S	1-1/4"	8/32	40.11	
IBV150T	IBV150S	1-1/2"	6/24	61.93	
IBV200T	IBV200S	2"	4/16	90.37	

Teflon® is a Dupont registered trademark



Ball Valves - Gas, Stainless



HGBVL Series



HGBVT Series

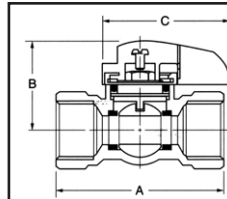
Forged Brass Gas Ball Valve Features:

- Heavy duty two piece forged brass body.
- For use with natural, manufactured, mixed, liquified petroleum and LP gas/air mixtures.
- Meets ANSI standard Z21.15 for use as a gas appliance connector valve (1/2 lb. system). CSA, US/AGA B-16.44
- UL Listed 757X for fire protection.
- Pressure rated at 175 psi W.O.G. non-shock.
- Imported, Mfg for American Granby in an ISO 9001 facility.



ISO 9001

MATERIAL SPECIFICATIONS	
Handle Screw	Steel
Handle	Aluminum
Stem O-Rings	NBR
Stem	Forged Brass
Ball	Chrome Plated Brass
Seats	Teflon®
Body	Forged Brass
End Adapter	Forged Brass



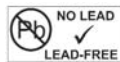
DIMENSIONS (IN.)

SIZE	A	B	C	BTU Capacity/Hr.
1/2"	2.21	1.46	1.81	295,000
3/4"	2.38	1.75	1.81	795,000
1"	2.91	1.89	1.81	1,200,000

Lever Style	Tee Style	Size	Ctn/Case Qty	List Price
Part Number	Part Number	t x t		
HGBVL50T	HGBVT50T	1/2"	12/144	\$ 10.99
HGBVL75T	HGBVT75T	3/4"	12/96	16.59
HGBVL100T	HGBVT100T	1"	6/96	30.46



SSBV Series

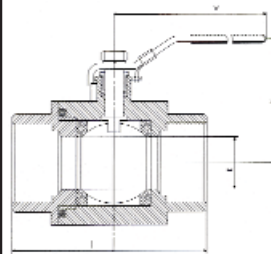


Stainless Steel Full Port Ball Valve Features:

- 316 Stainless steel ball valves
- Full Port, 1000 psi WOG
- Locking Handle (padlock not included)
- Investment castings.
- PTFE seal and packing.
- Blow-out proof stem.
- Mounting pad tapping.
- FPT x FPT



DIMENSIONS (IN.)



SIZE	D	L	H	W
1/4"	0.394	2.126	1.732	3.701
3/8"	0.472	2.126	1.732	3.701
1/2"	0.591	2.441	2.087	4.134
3/4"	0.787	2.913	2.283	4.528
1"	0.984	3.268	2.480	4.843
1 1/4"	1.260	3.858	2.835	5.354
1 1/2"	1.496	4.173	3.307	6.614
2"	1.969	4.724	3.701	6.772
2 1/2"	2.559	6.299	4.803	9.134
3"	3.150	7.402	5.197	9.370

MATERIAL SPECIFICATIONS	
Body	Stainless Steel
Cap	Stainless Steel
Ball	Stainless Steel
Seats	PTFE
Stem	Stainless Steel
Handle	Stainless Steel
Packing	PTFE
Seal Gasket	PTFE
Nut	Stainless Steel
Handle Cover	Plastic
Thrust Washer	Stainless Steel

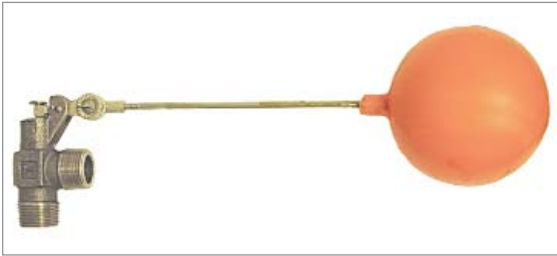
Part Number	Description	Size T x T	Case Qty	List Price
SSBV25TLH	Stainless 1000#	1/4"	2/80	\$ 35.04
SSBV38TLH	Stainless 1000#	3/8"	2/80	35.56
SSBV50TLH	Stainless 1000#	1/2"	2/80	36.43
SSBV75TLH	Stainless 1000#	3/4"	2/60	48.33
SSBV100TLH	Stainless 1000#	1"	2/40	77.48
SSBV125TLH	Stainless 1000#	1 1/4"	2/30	111.85
SSBV150TLH	Stainless 1000#	1 1/2"	2/16	133.89
SSBV200TLH	Stainless 1000#	2"	2/10	239.62
SSBV250TLH	Stainless 1000#	2 1/2"	2/4	372.17
SSBV300TLH	Stainless 1000#	3"	2/4	744.96



In the United States: Phone (800) 776-2266 Fax (800) 729-3299
In Canada: Phone (866) 503-5523 Fax (888) 562-2095

www.americangranby.com

12/13/11



BFV Series

Bronze Float Valve Features:

- Cast bronze body
- Buna-N Disc
- Heavy Duty
- Tapped for 1/4"-20SAE rod
- Threaded outlet
- Rated at 125 psi

Part Number	Size	Inlet	Outlet	Tapped	Ctn Qty	List Price
BFV1/2	1/2"	1/2" mpt	1/2" mpt	1/4"-20SAE	10/100	\$ 29.70
BFV3/4	3/4"	3/4" mpt	3/4" mpt	1/4"-20SAE	10/80	35.83
BFV1	1"	1" mpt	1" mpt	1/4"-20SAE	10/40	54.00



BFVR Series

Stainless Steel Rods Features:

- Stainless Steel SAE
- Male thread both ends

Part Number	Length	Thread	Fits Valve Size	Ctn Qty	List Price
BFVR8	8"	1/4"-20SAE	1/2" - 1"	50/400	\$ 6.62
BFVR10	10"	1/4"-20SAE	1/2" - 1"	50/300	7.67
BFVR12	12"	1/4"-20SAE	1/2" - 1"	50/300	8.59



BFVFP Series

Plastic Float Features:

- PVC
- Corrosion resistant
- Lightweight
- Up to 175°F
- For open tank service only

Part Number	Float Diam.	Buoyancy	Female Connection	Ctn Qty	List Price
BFVFP5	5"	2.17 lbs.	1/4"-20SAE	100	\$ 21.23
BFVFP6	6"	3.8 lbs.	1/4"-20SAE	100	25.00
BFVFP8	8"	9.87 lbs.	1/4"-20SAE	20	31.08



Valves - Brass Gate



GV200 Series

GV200 Series Forged Brass Gate Valve Features:

- Constructed of heavy duty forged brass.
- **Die-cast** body, **forged** bonnet are connected with a Teflon® body to bonnet gasket for a leak proof seat.
- Screwed bonnet, non-rising stem, solid wedge disc and integral seats.
- Graphite stem seal packing.
- Cast iron hand wheel
- Rated at **200 PSI WOG; 125 PSI SWP** (working pressure, non shock)
- Threaded ends produced to ANSI/ASME B1.20.1 (NPT) standards.
- Sweat ends produced to ANSI B16.18-1984 standards
- Imported

Teflon® is a registered trademark of Dupont.

MATERIAL SPECIFICATIONS	
Wheel Nut	Stainless Steel
Hand Wheel	Gray Iron
Packing Nut	Brass
Gland Follower	Brass
Stem Seal Packing	Graphite
Bonnet	Brass
Body-Bonnet Gasket	Teflon
Lock Nut	Brass
Stem	Brass
Disc	Brass
Body	Brass

DIMENSIONS (IN.)	SIZE	A (IPS)	A (CxC)	B (IPS)	B (CxC)	C	d
	1/2"	1.68	1.76	2.77	2.79	2.15	.51
	3/4"	1.76	2.34	2.97	3.10	2.15	.67
	1"	1.97	2.69	3.36	3.63	2.31	.82
	1 1/4"	2.30	3.01	4.02	4.37	2.93	1.07
	1 1/2"	2.46	3.36	4.45	4.96	2.93	1.40
	2"	2.69	3.98	5.23	6.13	3.12	1.77
	2 1/2"	3.43		6.36		3.90	2.21
	3"	3.71		7.41		4.29	2.68
	4"	4.45		9.17		5.07	3.55

Threaded Part Number	Sweat Part Number	Size	Ctn/Case Qty	List Price
GV200-50T		1/2"	10 / 100	\$ 12.25
	GV200-50S	1/2"	10 / 100	13.21
GV200-75T		3/4"	10 / 100	14.71
	GV200-75S	3/4"	10 / 100	14.83
GV200-100T		1"	5 / 50	20.81
	GV200-100S	1"	5 / 50	20.32
GV200-125T		1 1/4"	5 / 50	31.96
	GV200-125S	1 1/4"	5 / 50	22.48
GV200-150T		1 1/2"	2 / 30	43.61
	GV200-150S	1 1/2"	2 / 30	45.57
GV200-200T		2"	2 / 20	62.52
	GV200-200S	2"	2 / 20	70.22
GV200-250T		2 1/2"	1 / 10	141.04
GV200-300T		3"	1 / 10	179.05
GV200-400T		4"	1 / 4	325.10

Valves - Brass Swing Check



HSCV Series

ISO 9001

MATERIAL SPECIFICATIONS

Cap	Brass
Body	Brass
Disc	Brass
Hinge Pin	Brass
Screw	Brass

Brass Swing Check Valve Features:

- Constructed of heavy duty cast brass.
- Screwed cap, swing type disc and integral seat.
- Prevents backflow while offering full flow performance with a minimum of turbulence or pressure loss.
- Rated **200 PSI W.O.G.** (working pressure non-shock)
- Imported.
- Manufactured for American Granby in an ISO 9001 factory.

DIMENSIONS (IN.)	SIZE	A (IPS)	A (CxC)	B (IPS)	B (CxC)
	1/2"	2.05	2.05	1.47	1.49
	3/4"	2.32	2.32	1.58	1.58
	1"	2.56	2.56	1.68	1.68
	1 1/4"	3.12	3.12	1.84	1.84
	1 1/2"	3.45	3.45	2.15	2.15
	2"	4.16	4.16	2.69	2.69
	2 1/2"	5.11		2.93	
	3"	5.74		3.78	
	4"	6.79		3.90	

Threaded Part Number	Sweat Part Number	Size	Ctn/Case Qty	List Price
HSCV50T		1/2"	10/120	\$ 16.69
	HSCV50S	1/2"	10/120	16.24
HSCV75T		3/4"	10/80	20.39
	HSCV75S	3/4"	10/80	20.99
HSCV100T		1"	5/60	26.06
	HSCV100S	1"	5/60	27.99
HSCV125T		1-1/4"	5/40	43.79
	HSCV125S	1-1/4"	5/40	46.06
HSCV150T		1-1/2"	5/30	55.62
	HSCV150S	1-1/2"	5/30	53.26
HSCV200T		2"	2/24	78.52
	HSCV200S	2"	2/24	80.64
HSCV250T		2-1/2"	1/15	162.93
HSCV300T		3"	1/10	207.96
HSCV400T		4"	1/6	343.90



Plumbing Valves - BRASS, Low Pressure

BOILER DRAINS • HOSE BIBBS

- 125 PSI WOG (working pressure - non-shock), 200 PSI WOG (1/4 turn ball valve hose bibbs)
- All valves shown below are CSA rated except THBB/IHBB Series
- Imported



HNKD Series



HBD Series



HBD-SB Series



IBD-SB Series



IBDBV Series



HHB Series



HHBNHT Series



THBB Series
IHBB Series



IHBBNHT Series

Part Number	Size	Description	Ctn/Case Qty	List Price
Brass No-Kink Boiler Drains				
HNKD50 ☺	1/2"	mip x ght	12/144	\$ 7.45
HNKD75	3/4"	mip x ght	12/144	8.34
Brass Boiler Drains				
HBD50 ☺	1/2"	mip x ght	12/144	7.65
HBD75	3/4"	mip x ght	12/144	8.43
HBD50SB ☺	1/2"	w/ stuffing box mip x ght	12/144	9.73
HBD75SB	3/4"	w/ stuffing box mip x ght	12/144	10.18
Brass Full Flow Boiler Drains				
IBD50SB ☺	1/2"	w/ stuffing box mip x ght	12/144	10.23
IBD75SB	3/4"	w/ stuffing box mip x ght	12/144	9.94
1/4 turn Ball Valve Brass Boiler Drain w/ Butterfly Handle				
IBDBV50 ☺	1/2"	mip x ght	12/144	9.94
IBDBV75	3/4"	mip x ght	12/144	10.85
Brass Hose Bibbs				
HHB50 ☺	1/2"	mip x ght	12/144	8.20
HHB75	3/4"	mip x ght	12/144	8.64
Brass Hose Bibbs - No Garden Hose Thread, Sampling Valve				
HHB50NHT ☺	1/2"	mip x spout	12/144	8.48
HHB75NHT	3/4"	mip x spout	12/144	9.21
1/4 turn Ball Valve Brass Hose Bibbs w/ T Handle - 200 psi WOG non-shock				
IHBB50 ☺	1/2"	mip x ght (blue handle)	12/144	10.56
IHBB75	3/4"	mip x ght (blue handle)	12/144	12.57
THBB50	1/2"	mip x ght ITALY (red handle)	10/100	17.14
THBB75	3/4"	mip x ght ITALY (red handle)	10/100	20.50
1/4 turn Ball Valve Brass Hose Bibbs w/ T Handle - 200 psi WOG non-shock No garden hose thread - Sampling valve				
IHBB50NHT ☺	1/2"	mip x spout (blue handle)	12/144	11.06
IHBB75NHT	3/4"	mip x spout (blue handle)	12/144	11.47



☺ Has combination 1/2" mip and 1/2" solder connection

Plumbing Valves - Brass, Low Pressure



BENT NOSE GARDEN • ANGLE SILL COCKS • FROST PROOF SILL COCKS

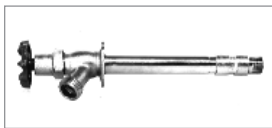
- 125 PSI WOG (working pressure - non-shock)
- Imported



HBNG Series



HSC Series



H500 Series



H500AS Series



HVB75

Part Number	Size	Description	Ctn/Case Qty	List Price
Full Flow Bent Nose Garden Valves				
HBNG50	1/2"	fip x ght	12/72	\$ 14.93
HBNG75	3/4"	fip x ght	12/72	14.90
HBNG100	1"	fip x ght	12/72	17.64
Brass Angle Sill Cocks				
HSC50T	1/2"	fip x ght	12/144	10.28
HSC75T	3/4"	fip x ght	12/144	10.33
HSC50C	1/2"	swt x ght	12/144	10.63
HSC75C	3/4"	swt x ght	12/144	10.56
LOWER PRICING				
Chrome Plated Brass Frost Proof Sill Cocks, IPS x Sweat Fitting				
H504	1/2 x 4"		2/40	27.37
H506	1/2 x 6"		2/40	28.83
H508	1/2 x 8"		2/40	29.86
H510	1/2 x 10"		2/40	30.61
H512	1/2 x 12"		2/40	30.83
H514	1/2 x 14"		2/40	31.07
Chrome Plated Brass Frost Proof Sill Cocks w/ 3/4" mpt x 1/2" fip connection				
H504-3/4	3/4 x 1/2 x 4"		2/40	18.60
H506-3/4	3/4 x 1/2 x 6"		2/40	19.50
H508-3/4	3/4 x 1/2 x 8"		2/40	29.02
H510-3/4	3/4 x 1/2 x 10"		2/40	29.86
H512-3/4	3/4 x 1/2 x 12"		2/40	30.60
H514-3/4	3/4 x 1/2 x 14"		2/40	32.13
Chrome Plated Brass Anti-Siphon Sill Cocks* w/ 1/2" mip x 1/2" swt connection				
H504AS	1/2 x 4"		2/30	33.81
H506AS	1/2 x 6"		2/30	35.25
H508AS	1/2 x 8"		2/30	36.51
H510AS	1/2 x 10"		2/30	37.74
H512AS	1/2 x 12"		2/30	38.92
H514AS	1/2 x 14"		2/30	40.18
* with integral vacuum breaker				
Vacuum Breaker				
HVB75	3/4"	Meets ASSE 1011 specifications	20/200	\$ 7.54



Plumbing Valves - NO LEAD, Low Pressure

BOILER DRAINS • HOSE BIBBS

- 125 PSI WOG (working pressure - non-shock), 200 PSI WOG (1/4 turn ball valve hose bibbs)
- All valves shown below are CSA rated except IHBB Series
- Imported



IBD-SBNL Series



IHBB NL Series








IHBBNHTNL Series



IHBBSS Series



IHBBSSNHT Series

Part Number	Size	Description	Ctn/Case Qty	List Price
NEW 				
NO LEAD Brass Full Flow Boiler Drains (CA AB1953 certified)				
IBD50SBNL ©	1/2"	w/ stuffing box mip x ght	12/144	13.65
IBD75SBNL	3/4"	w/ stuffing box mip x ght	12/144	13.84
NEW 				
NO LEAD Brass 1/4 turn Ball Valve Hose Bibb w/ T Handle 200 psi WOG non-shock				
IHBB50NL	1/2"	1/4 turn NL mip x ght	12/144	14.39
IHBB75NL	3/4"	1/4 turn NL mip x ght	12/144	16.95
NEW 				
NO LEAD Brass 1/4 turn Ball Valve Brass Hose Bibbs w/ T Handle - 200 psi WOG non-shock - No garden hose thread - Sampling valve				
IHBB50NHTNL	1/2"	1/4 turn NL mip x spout	12/144	14.39
IHBB75NHTNL	3/4"	1/4 turn NL mip x spout	12/144	16.95
				
1/4 turn Ball Valve 304 STAINLESS STEEL Hose Bibbs w/ T Handle - 200 psi WOG non-shock				
IHBB50SS	1/2"	STAINLESS mip x ght	12/144	22.32
IHBB75SS	3/4"	STAINLESS mip x ght	12/144	22.79
				
1/4 turn Ball Valve 304 STAINLESS STEEL Hose Bibbs w/ T Handle - 200 psi WOG non-shock - No garden hose thread - Sampling valve				
IHBB50SSNHT	1/2"	STAINLESS mip x spout	12/144	22.32
IHBB75SSNHT	3/4"	STAINLESS mip x spout	12/144	25.75

© Has combination 1/2" mip and 1/2" solder connection



www.americangranby.com
 In the United States: Phone (800) 776-2266 Fax (800) 729-3299
 In Canada: Phone (866) 503-5523 Fax (888) 562-2095

4/17/12

3.8a





Plumbing Valves - Celcon, CPVC



ISO 9001



AGHBF Series



AGSFT Series



AGBDM Series



AGBDF Series



AGSCC Series

Celcon (Acetal) Hose Bibb & Boiler Drain

Features:

- Celcon (acetal) construction for use in hot or cold fluid systems up to 180° F.
- Use with water and approved chemicals.
- Bronze color body with red T-handle or wheel handle.
- EPDM stem seal O-Ring for excellent chemical resistance and long life.
- Complies with applicable ASTM and ANSI standards.
- Manufactured for AGI in an ISO9001 facility.
- Made in USA.

Celcon (Acetal) Stop & Waste and Stop Valve Features:

- Stop & Waste allows draining of the non-pressure side of valve via an 1/8" port (polypropylene plug included).
- Complies with applicable ASTM and ANSI standards.
- Manufactured for AGI in an ISO9001 facility.
- Made in USA.

CPVC Stop Valve Features:

- High impact CPVC construction for use in hot or cold fluid systems up to 180° F.
- Use with water and approved chemicals.
- Beige color body with red wheel handle.
- EPDM stem seal O-Ring for excellent chemical resistance and long life.
- Complies with applicable ASTM and ANSI standards.
- Made with **Flow Guard Gold** material.
- Manufactured for AGI in an ISO 9001 facility.
- Made in USA.



Part Number	Description	Size	Inlet x Outlet	Ctn Qty	List Price
AGHBM50T	Celcon 45° Hose Bibb	1/2"	mipt x mht	36	\$ 8.52
AGHBM75T	Celcon 45° Hose Bibb	3/4"	mipt x mht	36	9.05
AGHBF50T	Celcon 45° Hose Bibb	1/2"	fipt x mht	36	8.52
AGHBF75T	Celcon 45° Hose Bibb	3/4"	fipt x mht	36	9.05
AGSFT50T	Celcon Sink Faucet w/ hose end	1/2"	mipt x mht	36	8.52
AGSFT75T	Celcon Sink Faucet w/ hose end	3/4"	mipt x mht	36	9.05
AGBDM50T	Celcon Boiler Drain	1/2"	mipt x mht	36	8.52
AGBDM75T	Celcon Boiler Drain	3/4"	mipt x mht	36	9.05
AGBDF50T	Celcon Boiler Drain	1/2"	fipt x mht	36	8.52
AGBDF75T	Celcon Boiler Drain	3/4"	fipt x mht	36	9.05
AGSCC50S	CPVC Stop Valve	1/2"	slip cts x slip cts	36	7.88
AGSCC75S	CPVC Stop Valve	3/4"	slip cts x slip cts	36	7.88



www.americangranby.com
 In the United States: Phone (800) 776-2266 Fax (800) 729-3299
 In Canada: Phone (866) 503-5523 Fax (888) 562-2095

2/15/11





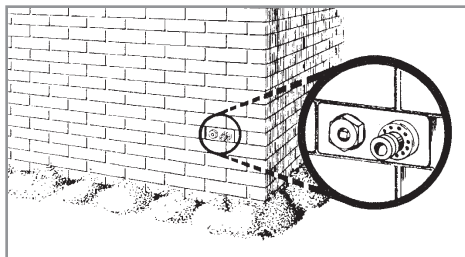
Wall Hydrants



CLAYTON MARK



Model 6500 cutaway view.



Typical Installation.

The Clayton Mark Model 6500 is a freeze proof sanitary, self-draining, through-the-wall commercial wall hydrant. The Model 6500 is engineered for use on commercial buildings such as restaurants, office buildings, shopping centers, hotels, schools, apartments, and many other types of industrial buildings.



Model 6500 Features:

- IAPMO listed.
- Vacuum Breaker/Backflow Preventer approved under ASSE Standard 1011. Patented design by Clayton Mark (Patent No. 3850190) operates at lower differential pressures than most vacuum breakers & features a self-cleaning design to help prevent clogging, 3/4" outlet.
- Simple, solderless design ensures years of trouble free operation.
- Natural brass finish blends in well with exterior finish and is more resistant than plated surfaces to weathering and normal usage.
- Positive shut-off with a plug type seal. Requires less force to operate.
- 400 Series stainless steel operating rod.
- Heavy duty brass pipe is stronger than ordinary copper tubing. Threaded & sealed joints eliminate problems associated with solder joints.
- Multiple vent holes ensure proper drainage and reduce problems associated with insect nesting.
- Custom brick cutting virtually eliminated by the unique low profile hydrant face.
- Standard hydrant can be used with or without a box. No need for dual inventories or multiple models to track.
- Simple design enables easier and more stable clamping to inner wall. On non-brick surfaces, the design will enable a more secure hold.

Application:

- Provides a year round source of water to areas of structures that are subject to freezing temperatures.
- The patented integral vacuum breaker/backflow preventer provides protection against cross-connection with the potable supply, while venting to eliminate the possibility of a vacuum. An operating key is included to operate the hydrant and is removable to help prevent unauthorized use of the hydrant and reduce vandalism. No special installation tools are required.

Materials of Construction:

- Brass All pressure-containing components (Head, Valve Body, Drive Screw, Hose Piece, Hex Face Nut, Pipe Casing).
- Stainless Steel Operating Rod
- Butyl Rubber Plunger (W/Brass Insert)
- Buna-N-Rubber O-Rings
- Silicon Rubber BFP Diaphragm
- Acetal BFP Check Spider

Specify As Follows:

Wall hydrant shall be the freeze-proof Clayton Mark Model 6500 with automatic draining capabilities and patented integral vacuum breaker/backflow preventer, 3/4" hose connection, freeze-proof water flow and self-draining functions, one-piece valve plunger, natural brass finish, stainless steel operating rod, and positive seal shut-off mechanism. Operating key to be furnished with each hydrant. Wall thickness to be ___* inches. Universal repair kits available to rebuild all moving parts subject to normal wear.

* 4" to 24" in 2" increments



In the United States: Phone (800) 776-2266 Fax (800) 729-3299
In Canada: Phone (866) 503-5523 Fax (888) 562-2095

www.americangranby.com

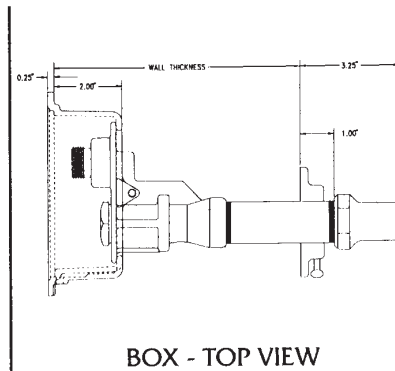
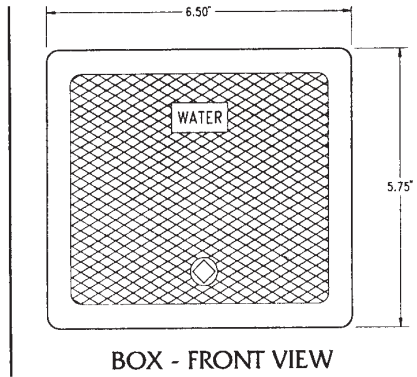
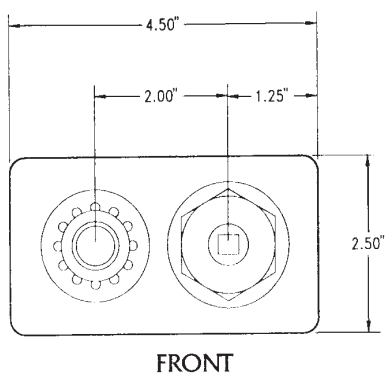
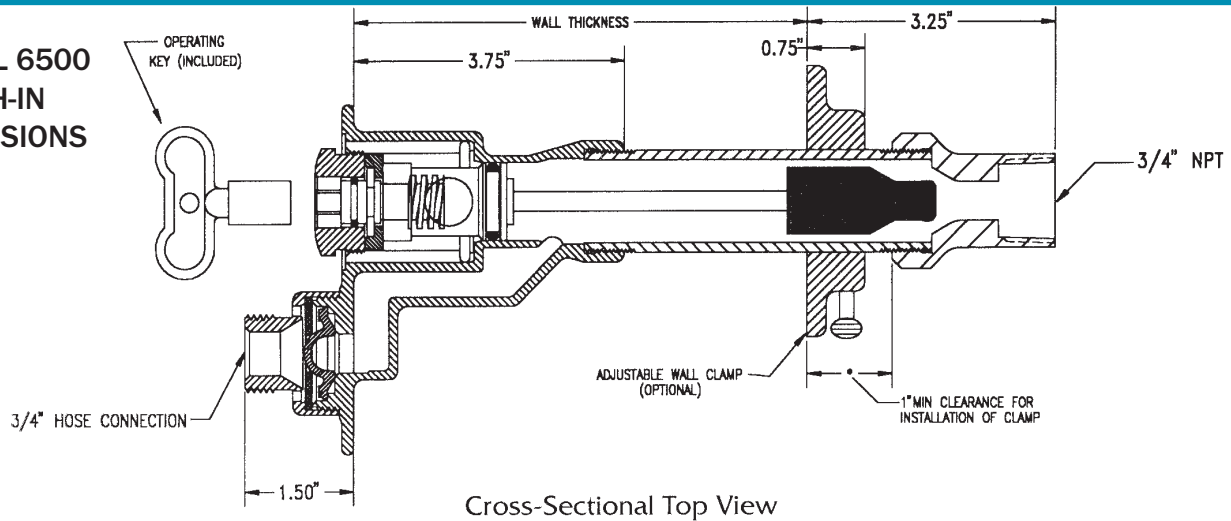
4/2009

3.11

Wall Hydrants - Specifications

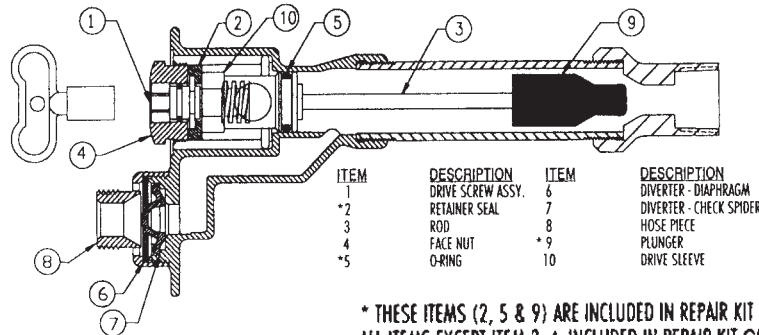


MODEL 6500 ROUGH-IN DIMENSIONS



REPLACEMENT PARTS

* Items 2, 5 & 9 are included in minor repair kit CRK1
All items except 3 & 4 are included in major repair kit CRK2



ITEM	DESCRIPTION	ITEM	DESCRIPTION
1	DRIVE SCREW ASSY.	6	DIVERTER - DIAPHRAGM
*2	RETAINER SEAL	7	DIVERTER - CHECK SPIDER
3	ROD	8	HOSE PIECE
4	FACE NUT	*9	PLUNGER
*5	O-RING	10	DRIVE SLEEVE

* THESE ITEMS (2, 5 & 9) ARE INCLUDED IN REPAIR KIT CRK1.
ALL ITEMS EXCEPT ITEM 3, 4 INCLUDED IN REPAIR KIT CRK2.
OPERATING KEY INCLUDED IN BOTH REPAIR KITS.

Approximate Model Equivalents:

Clayton Mark	Woodford	Zurn	Josam	Smith
Model 6500	65 Series	Z-1310	71050	5609
CWH Series		Z-1315-5	71550-81	5610-H 5611-H
Model 6500	B65 Series	Z-1300	71000	5509
CWH Series		Z-1330	7150-80	5510-H-VB
Plus Box		Z-1340		5511-H-VB
		Z-1305-5		



Wall Hydrants - Commercial



CLAYTON MARK

Information:

- All lengths will have cartridge style plunger.

SPECIAL ORDER ONLY - ALLOW 4-6 WEEKS FOR DELIVERY

Part Number	Size/Description	Ctn Qty	List Price
Commercial Wall Hydrants, Freezeproof, Sanitary and Self-Draining, without box			
CWH04	4"	1	\$ 455.71
CWH06	6"	1	468.35
CWH08	8"	1	480.60
CWH10	10"	1	492.64
CWH12	12"	1	503.74
CWH16	16"	1	540.11
CWH18	18"	1	552.20
CWH24	24"	1	592.69
Commercial Wall Hydrants, Multi-Temperature, without box			
W8310-4DAB	4"	1	669.95
W8310-6DAB	6"	1	698.57
W8310-8DAB	8"	1	725.00
Wall Hydrant Boxes - For recessed installation of hydrant			
CHBSR	Standard Red Brass Wall Box	1	377.64
CHBSN	Standard Nickel Bronze Wall Box	1	367.53
CHBDRT	Deep Box for Tri-Temp, Red Brass	1	1076.54
WH Wall Clamp			
CHWC1	Adjustable Wall Clamp	1	26.59
Wall Hydrant Repair Kits			
CRK1	Repair Kit I (Minor)	1	26.37
CRK2	Repair Kit II (Major)	1	173.13

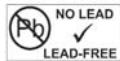
* Replacement rods are available. Please note length and description of plunger or cartridge seal. Price available upon request.

Ball Valves - Economy PVC Molded-in-Place

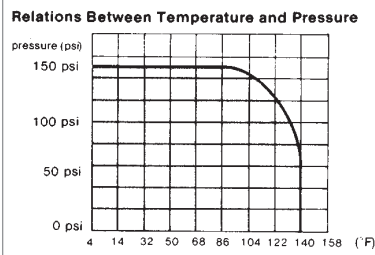
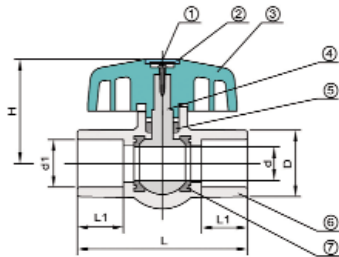


Economy Series PVC Molded-In-Place Ball Valve Features:

- Heavy duty thermoplastic white PVC (Type 1, Grade 1) construction.
- White body, blue handle.
- Tee handle on 1/2" through 2". Lever handle on 2 1/2", 3" and 4".
- EPDM seats provide excellent chemical resistance.
- EPDM "o" ring stem seal.
- 150 PSI working pressure at 73°F water, non-shock.
- Maintenance free compact design.
- Severe shock loads and misalignment stress are absorbed by the valve body, not the ball & seat, minimizing the chance of uneven wear & leakage.
- Individually cartoned.
- Imported.



EMIP TE/SE Series IPS DIMENSIONS (IN.)						
SIZE	d	d1	D	L1	L	H
1/2"	0.591	.0839	1.24	0.80	2.9	1.78
3/4"	0.792	1.051	1.45	0.89	3.4	2.01
1"	0.981	1.315	1.77	1.08	4.0	2.26
1 1/4"	1.262	1.661	2.07	1.06	4.3	2.66
1 1/2"	1.421	1.902	2.49	1.14	4.8	2.91
2"	1.832	2.374	3.01	1.42	5.7	3.32
2 1/2"	2.492	2.874	3.54	1.80	7.2	4.07
3"	3.153	3.5	4.25	2.4	9.3	4.47
4"	3.821	4.5	5.21	2.52	10.1	4.89



MATERIAL SPECIFICATIONS

1	Screw	Zinc Plated Steel
2	Cap	ABS
3	Handle	ABS
4	Ball	PVC
5	Stem Seal o-ring	EPDM
6	Body	PVC
7	Seat Seal	EPDM

CV (GPM/(1 lbf/in²)^{1/2})
Opening Rate: 90"

SIZE	CV
1/2"	14.5
3/4"	29.5
1"	48.0
1 1/4"	71.0
1 1/2"	135.0
2"	180.0
2 1/2"	225.0
3"	400.0
4"	865.9

Threaded Part Number	Slip Part Number	Size	Master Case Qty	List Price
EMIP50TE	EMIP50SE	1/2"	210	\$ 1.70
EMIP75TE	EMIP75SE	3/4"	137	2.29
EMIP100TE	EMIP100SE	1"	95	3.64
EMIP125TE	EMIP125SE	1 1/4"	56	4.97
EMIP150TE	EMIP150SE	1 1/2"	36	6.79
EMIP200TE	EMIP200SE	2"	24	10.89
EIMP250TE	EMIP250SE	2 1/2"	9	29.47
EMIP300TE	EMIP300SE	3"	8	45.33
EMIP400TE	EMIP400SE	4"	6	83.75



Ball Valves - PVC Sch 80 Molded-in-Place

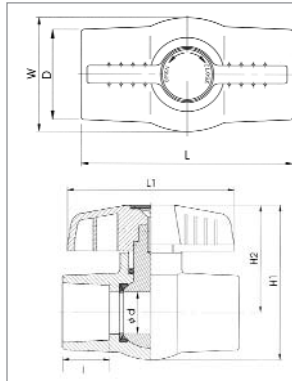


ISO 9002

MATERIAL SPECIFICATIONS	
Body	PVC
Seat Seal	EPDM, Teflon
Ball	PVC
Stem Seal o-ring	EPDM
Handle	ABS
Bolt	Zinc Plated Steel
Cap	ABS

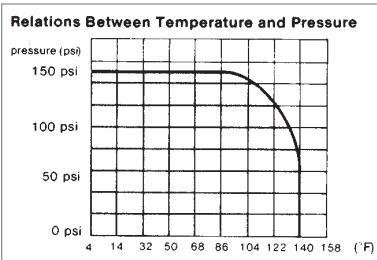
SCH 80 Series PVC Molded-In-Place Ball Valve Features:

- Heavy duty thermoplastic white PVC (Type 1, Grade 1) construction. Materials meet NSF standards.
- Meets ASTM 2467 Schedule 80.
- White body, red handle.
- Available with Teflon® or EPDM seats providing excellent chemical resistance.
- EPDM “o” ring stem seal
- 150 PSI working pressure at 73°F water, non-shock.
- Maintenance free compact design.
- Severe shock loads and misalignment stress are absorbed by the valve body, not the ball & seat, minimizing the chance of uneven wear & leakage.
- Individually cartoned.
- Manufactured for AGI in an ISO9002 facility.
- Imported.



HMIP TE/SE and T/S Series IPS DIMENSIONS (IN.)

SIZE	d	D	L	L1	I	H1	H2	W
1/2"	.55	1.17	3.24	2.73	.87	2.42	1.68	1.48
3/4"	.78	1.48	3.71	3.43	1.00	3.04	2.11	1.67
1"	.98	1.76	4.13	3.90	1.12	3.63	2.54	2.22
1 1/4"	1.17	2.11	4.45	3.90	1.25	3.82	2.61	2.46
1 1/2"	1.40	2.42	5.07	4.25	1.37	4.49	3.04	2.93
2"	1.82	3.00	5.74	5.23	1.50	5.27	3.47	3.59
2 1/2"	2.34	3.59	7.96	6.94	1.75	6.24	4.10	4.29
3"	3.00	4.13	8.93	8.74	1.88	7.41	4.84	5.19
4"	3.94	5.27	11.70	10.76	2.25	9.09	5.77	6.63



CV (GPM/(1 lbf/in ²) ^{1/2})	
Opening Rate: 90"	
SIZE	CV
1/2"	14.5
3/4"	29.5
1"	48.0
1 1/4"	71.0
1 1/2"	135.0
2"	180.0
2 1/2"	225.0
3"	400.0
4"	865.9

WITH EPDM SEATS

Threaded Part Number	Slip Part Number	Size	Ctn Qty	List Price
HMIP50TE	HMIP50SE	1/2"	100	\$ 4.17
HMIP75TE	HMIP75SE	3/4"	100	5.36
HMIP100TE	HMIP100SE	1"	100	7.38
HMIP125TE	HMIP125SE	1 1/4"	100	10.41
HMIP150TE	HMIP150SE	1 1/2"	48	16.87
HMIP200TE	HMIP200SE	2"	24	22.32
HIMP250TE	HMIP250SE	2 1/2"	12	60.30
HMIP300TE	HMIP300SE	3"	12	104.49
HMIP400TE	HMIP400SE	4"	6	188.22

WITH TEFLON® SEATS

Threaded Part Number	Slip Part Number	Size	Ctn Qty	List Price
HMIP50T	HMIP50S	1/2"	100	\$ 9.39
HMIP75T	HMIP75S	3/4"	100	12.61
HMIP100T	HMIP100S	1"	100	12.76
HMIP125T	HMIP125S	1 1/4"	100	20.22
HMIP150T	HMIP150S	1 1/2"	48	25.82
HMIP200T	HMIP200S	2"	24	35.21

® Teflon is a Dupont Registered Trademark



In the United States: Phone (800) 776-2266 Fax (800) 729-3299
In Canada: Phone (866) 503-5523 Fax (888) 562-2095

www.americangranby.com

9/7/11

3.15

Ball Valves - CPVC Sch 80 Molded-in-Place



ISO 9002

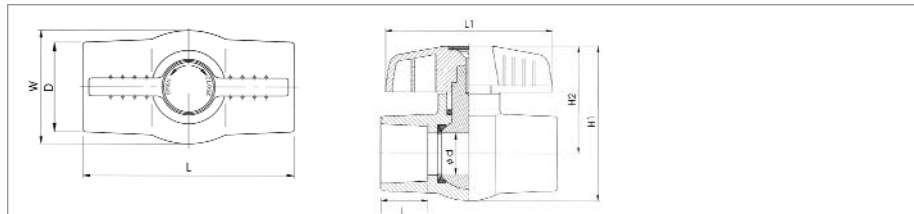
MATERIAL SPECIFICATIONS

Body	CPVC
Seat Seal	Teflon
Ball	CPVC
Stem Seal	EPDM
Handle	ABS
Bolt	Zinc Plated Steel
Cap	ABS

SCH 80 Series CPVC Molded-in-Place Ball Valve Features:

- Made with **Flo Guard Gold CPVC** material.
- Heavy duty thermoplastic CPVC construction for hot water use.
- NSF listed.
- Meets ASTM 2467 Schedule 80.
- CTS slip x slip - cream body, orange handle.
- Teflon® seats providing excellent chemical resistance.
- EPDM O-Ring stem seal.
- Working pressure 75 PSI at 180° F.
- Maintenance free compact design.
- Severe shock loads & misalignment stress are absorbed by the valve body, not the ball & seat, minimizing the chance of uneven wear & leakage.
- Individually cartoned.
- Manufactured for AGI in an ISO 9002 facility.
- Imported

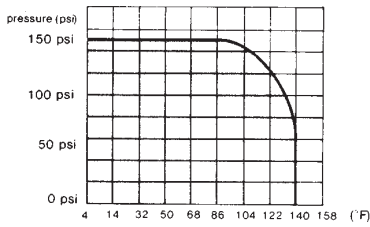
FLOWGUARD GOLD
PIPE & FITTINGS



CMIP "C" Series CTS DIMENSIONS (IN.)

SIZE	d	D	L	L1	I	H1	H2	W
1/2"	.47	.94	2.65	2.34	.50	1.91	1.33	1.21
3/4"	.55	1.17	3.24	2.73	.87	2.42	1.68	1.48
1"	.78	1.48	3.71	3.43	.90	3.04	2.11	1.91

Relations Between Temperature and Pressure



CV (GPM/(1 lbf/in²)^{1/2})
Opening Rate: 90"

SIZE	CV
1/2"	14.5
3/4"	29.5
1"	48.0

Part Number	Description	Ctn Qty	List Price
CPVC Ball Valve, Copper Tube Size, SLIP X SLIP			
CMIP50C	1/2" SLIP X SLIP	100	\$ 7.70
CMIP75C	3/4" slip x slip	100	8.66
CMIP100C	1" slip x slip	100	13.48



Ball Valves - PVC Single Union



PV1450 Series



PV1452, PV1453 Series

ISO 9002



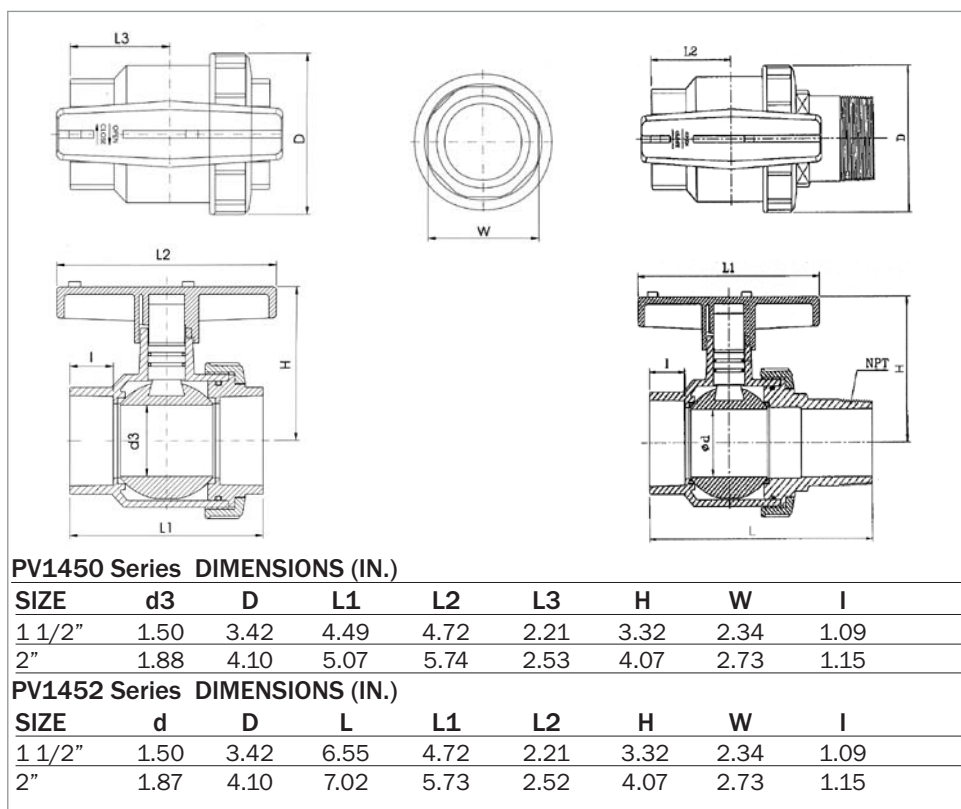
MATERIAL SPECIFICATIONS

Body	PVC
End Adapter	PVC
Union Nut	PVC
Ball	PVC
Stem	PVC
Handle	ABS
Union o-rings	EPDM
Seat Seals	Teflon®
Stem o-rings	EPDM

PVC Single Union Ball Valve Features:

- PVC Type 1 construction for compatibility in joining rigid PVC and flex vinyl pipes.
- Teflon® seats.
- Double EPDM o-ring seal on stem: single EPDM o-ring seal on union end.
- Fully round ball prevents foreign matter from scoring seats.
- Tee handle for quarter turn on/off with stops.
- Working pressure: 150 PSI at 72°F, 100 PSI at 120°F.
- Threaded or socket.
- Manufactured for AGI in an ISO 9002 facility.
- Imported

Teflon® is a Dupont Registered Trademark

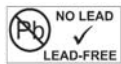


Part Number	Threaded/Slip	Size	Ctn Qty	List Price
PV1450-11/2	Slip	1-1/2"	48	\$ 21.68
PV1450-2	Slip	2"	24	28.70
PV1451-11/2	Threaded	1-1/2"	48	21.68
PV1451-2	Threaded	2"	24	28.70
PV1452-11/2	Slip x Extended MIP	1 1/2"	24	21.48
PV1452-2	Slip x Extended MIP	2"	24	29.52
PV1453-11/2	FPT x Extended MIP	1 1/2"	24	21.48
PV1453-2	FPT x Extended MIP	2"	12	29.52

Ball Valves - PVC Single Union



1350 Series



PVC Single Union Ball Valve Features:



- PVC Type 1 construction for compatibility in joining rigid PVC and flex vinyl pipes.
- **Buna "N" O-Ring seal; HDPE seats.**
- 1-1/4 deep sockets on both ends for extra cementing surface area.
- Acme thread on assembly nut prevents cross threading.
- Tee handle for quarter turn on/off with stops.
- Working pressure: 150 PSI at 72°F, 100 PSI at 120°F.
- Threaded or socket.
- Made in USA.

Part Number	Threaded/Socket	Size	Ctn Qty	List Price
1350-15	Socket	1-1/2"	12	\$ 30.43
1350-20	Socket	2"	6	45.00
1351-15	Threaded	1-1/2"	12	30.43
1351-20	Threaded	2"	6	45.00



Ball Valves - PVC True Union



ITUV Series



SCH 80 PVC True Union Ball Valve Features:

- Heavy duty thermoplastic grey Sch 80 PVC (Type 1, Grade 1).
- Full port design.
- Available with either EPDM or Viton® o-ring stem, carrier and union seals.
- Teflon® seats are resistant to chemical corrosion.
- 150 PSI working pressure at 73° water, non-shock.
- Working temperature -4°F to 140°F.
- Unique double union/double block design permits in-line maintenance without disconnecting pipe and with no special tools.
- Both ends are blocked with bayonet-style locks which prevents the ball from being blown out. Ball remains in place upon removal of valve.
- External adjustment for seat wear.
- Individually cartoned.
- Imported.

EPDM O-Rings

Socket Part Number	Threaded Part Number	Ctn Qty	List Price
ITUV50SE	ITUV50TE	48	\$ 13.55
ITUV75SE	ITUV75TE	36	18.35
ITUV100SE	ITUV100TE	24	25.15
ITUV125SE	ITUV125TE	24	37.66
ITUV150SE	ITUV150TE	24	51.68
ITUV200SE	ITUV200TE	12	66.78
ITUV250SE	ITUV250TE	12	113.12
ITUV300SE	ITUV300TE	6	198.34
ITUV400SE	ITUV400TE	1	363.06

VITON O-RINGS

Socket Part Number	Threaded Part Number	Ctn Qty	List Price
ITUV50SV	ITUV50TV	48	\$ 24.56
ITUV75SV	ITUV75TV	36	31.52
ITUV100SV	ITUV100TV	24	41.14
ITUV125SV	ITUV125TV	24	56.08
ITUV150SV	ITUV150TV	24	80.80
ITUV200SV	ITUV200TV	12	119.57
ITUV250SV	ITUV250TV	12	180.16
ITUV300SV	ITUV300TV	6	270.58
ITUV400SV	ITUV400TV	1	547.66

ADDITIONAL ENDS - SET OF 2 INCLUDED

Part Number	Part Number	List Price
ITUV50 SOCKET END	ITUV50 THREADED END	\$ 2.78
ITUV75 SOCKET END	ITUV75 THREADED END	3.82
ITUV100 SOCKET END	ITUV100 THREADED END	5.42
ITUV125 SOCKET END	ITUV125 THREADED END	7.44
ITUV150 SOCKET END	ITUV150 THREADED END	8.97
ITUV200 SOCKET END	ITUV200 THREADED END	10.15
ITUV250 SOCKET END	ITUV250 THREADED END	16.13
ITUV300 SOCKET END	ITUV300 THREADED END	32.18
ITUV400 SOCKET END	ITUV400 THREADED END	64.29

® Teflon is a Dupont Registered Trademark



In the United States: Phone (800) 776-2266 Fax (800) 729-3299
 In Canada: Phone (866) 503-5523 Fax (888) 562-2095

www.americangranby.com

9/7/11

3.19

Ball Valves - PVC True Union



ITUV Series PVC True Union Ball Valve Specifications:

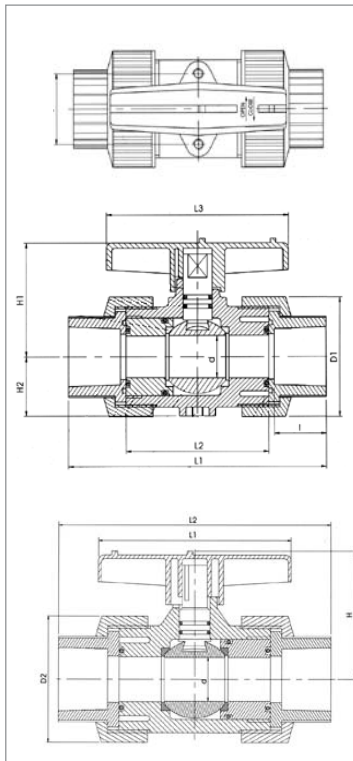
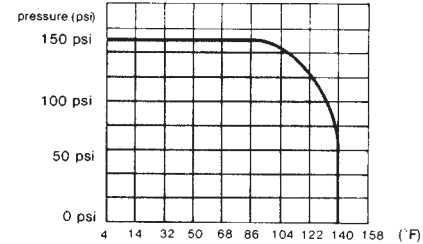
MATERIAL SPECIFICATIONS:

Part	Material
Body	PVC
Stem o-ring	EPDM or Viton
Stem	PVC
Ball	PVC
Seat Seal	Teflon
Carrier o-ring	EPDM or Viton
Seal Carrier	PVC
Union o-ring	EPDM or Viton
End Connector	PVC
Union Nut	PVC
Handle	ABS
Inserted Nut	C3604 (on 1/2" - 2" only)

CV (GPM/(1 lbf/in²)^{1/2})
Opening Rate: 90"

SIZE	CV
1/2"	7.39
1"	25.16
1 1/4"	43.22
1 1/2"	60.21
2"	101.56
2 1/2"	170.39
3"	
4"	906.95

Relations Between Temperature and Pressure



ITUV Series 1/2" thru 2" DIMENSIONS (IN.)

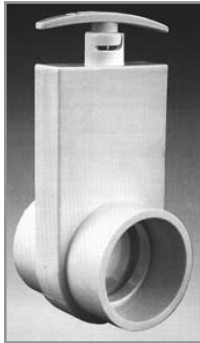
SIZE	d	D1	L1	L2	L3	H1	H2
1/2"	.51	1.76	4.33	2.347	3.04	1.87	--
3/4"	.70	2.15	5.07	2.85	3.59	2.26	1.01
1"	.90	2.57	5.66	3.04	3.90	2.54	1.29
1 1/4"	1.17	3.16	6.44	3.39	4.29	2.95	1.48
1 1/2"	1.48	3.74	6.67	3.59	4.72	3.43	1.64
2"	1.87	4.64	7.80	4.37	5.73	4.19	2.07

ITUV Series 2 1/2" thru 4" DIMENSIONS (IN.)

SIZE	d	D2	L1	L2	H
2 1/2"	2.34	5.30	7.08	10.73	4.64
3"	2.69	6.08	9.32	11.70	5.03
4"	3.90	8.74	10.84	12.79	6.86



Slice Gate Valves - PVC



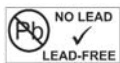
VSGV Uni-Body



VSGV 3 piece body



VSGV 3 piece body with union



PVC Slice Gate Valve Features:

- Designed for pool & spa, irrigation, plumbing, waste water and agricultural applications.
- Stainless steel shaft prevent rust and corrosion.
- Ozone & chemical resistant Santoprene™ materials.
- Santoprene™ seals are integrated to the paddle to eliminate any chance of torn or punctured gaskets.
- Maximum working pressure 50 psi (through 2”).
- Solvent cement traps to catch excess glue.
- Every valve tested at double recommended working pressure.
- Valterra's patent pending triple o-ring neck seal to ensure against any chance of shaft leakage.

Unibody Design

- One piece uni-body design.
- Combination socket ID x spigot OD for installation flexibility.
- Locking handle provides positive shut-off and easy gate opening.

3 Piece body

- Three piece configuration allows for repair or can be used as a union.
- Three piece configuration easily disassembles for inline service.

Part Number	Description	Max PSI	Ctn	Qty	List Price
Uni-Body					
VSGV2101	1 1/2" slip x slip	50	30		\$ 16.46
VSGV2201	2" slip x slip	50	20		22.35
* Unibody 2" slip hubs are 2" slip or 2 1/2" spigot					
Three Piece Body					
VSGV150SL	1 1/2" slip x slip	50	30		19.00
VSGV150FIPTXMIPT	1 1/2" fipt x mipt	50	40		22.73
VSGV150FIPTxMIPTABS	1 1/2" fipt x mipt ABS	50	26		22.73
VSGV150SLU	1 1/2" slip x union slip	50	38		30.10
VSGV150MTU	1 1/2" mipt x union slip	50	38		28.62
VSGV150SP	1 1/2" slip x spigot	50	30		18.08
VSGV150SD	1 1/2" step down pool hose x mipt ABS		40		21.60
VSGV200SL	2" slip x slip	50	20		23.48
VSGV200SP	2" slip x spigot	50	34		22.35
VSGV300SL	3" slip x slip	20	15		38.17
VSGV400SL	4" slip x slip w/ metal handle	15	6		162.35
VSGV600SL	6" slip x slip w/ stainless handle	10	1		676.38
VSGV800SL	8" slip x slip w/ stainless handle	10	1		947.04
VSGV1000SL	10" slip x slip w/ stainless handle	10	1		1726.53
VSGV1200SL	12" slip x slip w/ stainless handle	10	1		1813.78

Slice Gate Valves - PVC



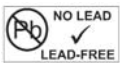
SGV - SL Series

PVC Slice Gate Valve Features:

- One piece “Uni-Body” PVC Construction. Guaranteed NO HUB LEAKS or loose bolts.
- 1/4 turn “Cam-Lock” for 100% shut-off..
- Internal “snap-lock” feature ensures valve will remain totally open, providing 100% flow with no restriction.
- Stainless steel shaft prevents rust and corrosion.
- Glass filled poly-pro tapered gate design for 100% sealing.
- Integrally molded seal on gate. - No pinched or torn gaskets.
- Seals are “Santoprene” that have been impregnated with a permanent lubricant. Never needs lube yet will provide continuous smooth operation. Ozone and chemical resistant for much longer life.
- Santoprene buttons on gate provides smooth operation without sticking.
- Every valve water tested at 100PSI and random quick burst tested at 400 PSI. Virtually no chance of leaky valves in the field at standard operating pressures.
- Maximum recommended operating pressure is 50 PSI.
- Glue wells on all slip-socket configuration catches excess glue during plumbing.
- Constructed and tested for use in pool & spa applications.
- Made in USA



SGV-Sp and SGV-SLU Series



Part Number	Size	Description	Ctn/Case Qty	List Price
SGV150SL	1 1/2"	Slip x Slip	14/56	\$ 18.81
SGV200SL	2"	Slip x Slip	12/48	19.80
SGV250SL	2 1/2"	Slip x Slip	5/20	42.19
SGV150SP	1 1/2"	Slip x Spigot	14/56	18.81
SGV200SP	2"	Slip x Spigot	12/48	19.80
SGV150SLU	1 1/2"	Slip x Slip with Union	10/40	30.45
SGV200SLU	2"	Slip x Slip with Union	10/40	36.76



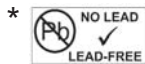
Butterfly Valves - Cast Iron



HBFV Series
ISO 9002



HBFV GEAR Series



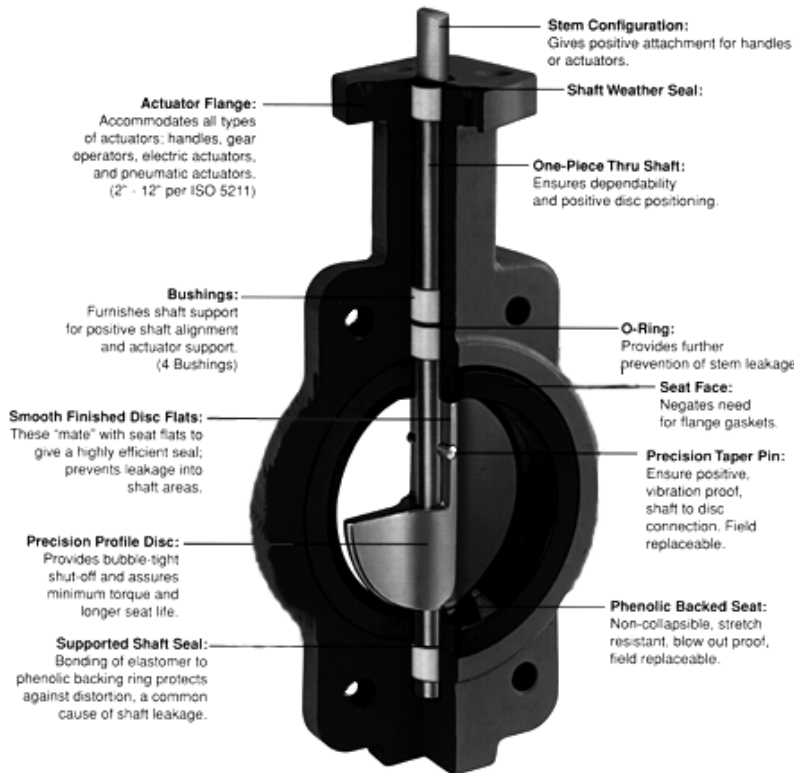
Cast Iron Butterfly Valve Features:

- Designed for swimming pool, irrigation and water systems.
- Wafer body features 4 alignment holes.
- Lever lock handle (spring loaded) provides excellent manual control for balancing or shut off services.
- Notched throttling plate allows balancing in 10° increments in any position desired within 90° arc rotation of the disc.
- Positive bubble-tight shutoff with minimum torque.
- Seat face eliminates need for flange gaskets.
- Phenolic backed seats prevent collapse, are stretch resistant, blowout proof and field replaceable.
- **EPDM seats** temperature rated at -30 °F to 275 °F.
- 416 stainless steel shaft
- Bidirectional dead-end capability for 250 psi (2" - 12").
- Compatible with ANSI 125/150 flanges.
- Valves meet AWWA C-504-87 section 5 proof of design tests.
- Designed to comply with MSS SP-67 and API 609.
- **Ductile iron, ENP plated disc.**
- Manufactured for AGI in an ISO 9002 facility.
- Imported

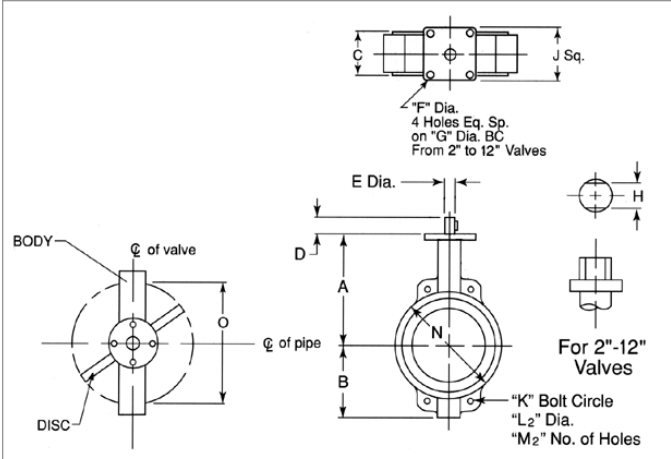
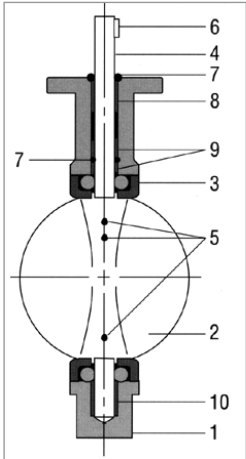
Part No.	Size	Weight(lbs)	Ctn Qty	List Price
Ductile Iron ENP Plated Disc*				
HBFV2	2"	7	1	\$ 107.09
HBFV21/2	2-1/2"	8	1	126.65
HBFV3	3"	10	1	162.95
HBFV4	4"	12	1	209.38
HBFV5	5"	15.5	1	229.78
HBFV6	6"	17.5	1	273.75
HBFV8	8"	33	1	461.73
HBFV10	10"	50	1	612.56
HBFV12	12"	74	1	917.27
Ductile Iron ENP Plated Disc - GEAR DRIVE *				
HBFV6-GEAR	6"	28.5	1	351.89
HBFV8 GEAR	8"	54	1	573.50
Replacement Handles for HBFV Series				
BFH2	2"		1	17.46
BFH3	3"		1	17.46
BFH4	4"		1	17.46
BFH5	5"		1	20.87
BFH6	6"		1	20.87
BFH8	8"		1	42.94
BFH10	10"		1	42.94
BFH12	12"		1	48.88

Flanges & Bolt kits available,
see page 3.26

Butterfly Valves - Cast Iron



MATERIAL SPECIFICATIONS		
No.	Part	Material
1	Body	Cast Iron
2	Disc	Ductile Iron
3	Seat	EPDM
4	Shaft	416 Stainless Steel
5	Taper Pin	316 Stainless Steel
6	Key	Carbon Steel
7	O-ring	EPDM
8-10	Bushing	PTFE



SIZE \ DIMENSION (in) for HBFV Series

	A	B	C	D	E	F	G	H	J	K	L ₂	M ₂	N	O
2"	6 3/8	3 1/4	1 3/4	1 1/4	1/2	3/8	2.76	.39	2 3/4	4 3/4	11/16	4	4	1.26
2 1/2"	6 7/8	3 3/4	1 7/8	1 1/4	1/2	3/8	2.76	.39	2 3/4	5 1/2	11/16	4	4 3/4	1.83
3"	7 1/8	4	1 7/8	1 1/4	1/2	3/8	2.76	.39	2 3/4	6	11/16	4	5 1/8	2.54
4"	7 7/8	4 7/8	2 1/8	1 1/4	5/8	3/8	2.76	.47	2 3/4	7 1/2	11/16	4	6 3/4	3.54
5"	8 3/8	5 3/8	2 1/4	1 3/16	3/4	3/8	2.76	.55	2 3/4	8 1/2	13/16	4	7 3/4	4.36
6"	8 7/8	5 7/8	2 1/4	1 1/4	3/4	3/8	2.76	.55	2 3/4	9 1/2	13/16	4	8 5/8	5.72
8"	10 1/4	7 1/8	2 1/2	1 3/4	7/8	7/16	4.02	.67	3 3/4	11 3/4	13/16	4	10 9/16	7.6
10"	11 1/2	8 1/4	2 3/4	1 3/4	1 1/8	7/16	4.02	.87	3 3/4	14.14	15/16	4	13 1/16	9.5
12"	13 1/4	9 3/4	3 1/8	1 3/4	1 1/4	7/16	4.02	.95	3 3/4	17	15/16	4	16 1/8	11.45





Butterfly Valves - PVC Sch 80



PBFV Series

ISO 9002



MATERIAL SPECIFICATIONS

No.	Part	Material	Qty
1	Body	PVC	1
2	Disc	PP	1
3	Seat Seal	EPDM	1
4	Stem	SS 410	1
5	O-ring	EPDM	2
6	O-ring	EPDM	2
7	Inserted Nut	SS 41	3
8	Large Handle	ABS	1
9	Small Handle	ABS	1
10	Spring Lock	ABS	1
11	Handle Insert	SS	1
12	Handle Lever	SS 304	1
13	Spring	SS 304	1
14	Spring Pin	SS 304	1
15	Spring Pin	SS 304	1
16	Washer	SS 304	1
17	Locking Plate	SS 304	1
18	Gear Seat	PP + GF	1
19	Washer	SS 304	1
20	Bolt	SS 304	3
21	Nut	PVC	1
22	Insert Nut	C3604	1
23	Level	SS 304	1
24	Rivet	SS	2

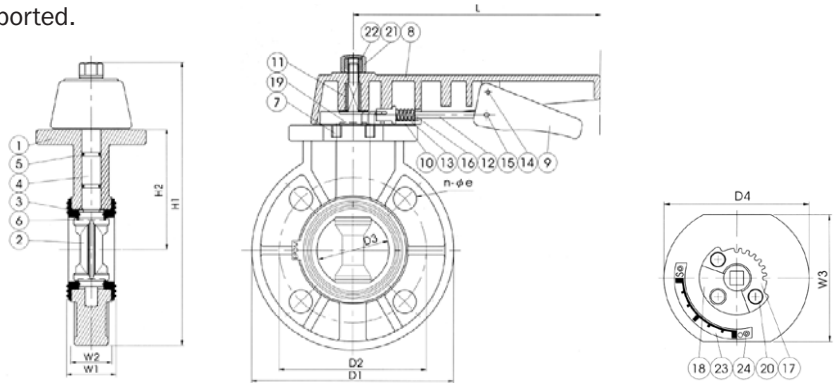
CV (GPM/((1 lbf/in²)^{1/2})

Opening Rate: 90°

SIZE	CV
2"	100.87
2 1/2"	137.82
3"	224.08
4"	409.51
5"	523.92
6"	1243.00

PVC Sch 80 Butterfly Valves Features:

- 150 PSI working pressure.
- PVC body, polypropylene disc, and EPDM seat and o-ring.
- Flanged end design.
- Corrosion resistant.
- Excellent flow characteristics.
- Ideally suited for flow control in a minimum piping space.
- Clear indication of disc opening degree.
- Built in seat requires no additional gaskets between flanges.
- Manufactured for AGI in an ISO 9002 facility.
- Imported.



DIMENSIONS \ SIZE (in)

	2"	2 1/2"	3"	4"	5"	6"	8"
D1	6.44	7.22	7.80	8.93	9.98	11.12	13.38
D2	4.70	5.44	5.94	7.43	8.42	9.42	11.64
D3	2.20	2.71	3.10	4.01	5.11	6.02	7.91
D4	4.13	4.66	4.84	5.26	6.40	6.64	7.84
L	7.92	7.92	7.92	9.91	11.86	11.86	11.86
H1	9.59	10.37	10.76	12.40	15.21	15.80	18.17
H2	4.02	4.41	4.49	5.27	5.85	6.90	8.19
W1	1.67	1.85	1.85	2.23	2.57	2.88	3.41
W2	1.35	1.45	1.45	1.83	2.22	2.53	3.06
W3	3.67	3.67	3.66	3.89	4.31	3.93	4.76
n-oe	.741	.741	.741	.741	.858	.858	.858

Part Number	Description	Ctn Qty	List Price
PBFV2	2" PVC Butterfly valve	4	\$ 246.11
PBFV21/2	2 1/2" PVC Butterfly valve	4	252.11
PBFV3	3" PVC Butterfly valve	4	248.47
PBFV4	4" PVC Butterfly valve	4	283.14
PBFV5	5" PVC Butterfly valve	4	404.37
PBFV6	6" PVC Butterfly valve	4	464.61
PBFV8	8" PVC Butterfly valve	1	684.31
Replacement handles			
PBFV2 HANDLE	2" PVC valve handle	1	27.87
PBFV21/2 HANDLE	2 1/2" PVC valve handle	1	27.87
PBFV3 HANDLE	3" PVC valve handle	1	27.87
PBFV4 HANDLE	4" PVC valve handle	1	34.47
PBFV5 HANDLE	5" PVC valve handle	1	46.29
PBFV6 HANDLE	6" PVC valve handle	1	46.78
PBFV8 HANDLE	8" PVC valve handle	1	46.78



In the United States: Phone (800) 776-2266 Fax (800) 729-3299
 In Canada: Phone (866) 503-5523 Fax (888) 562-2095

www.americangranby.com

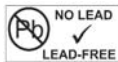
9/7/11

3.25



PF Series

ISO 9002

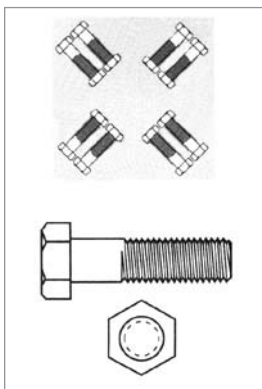


PVC Sch 80 Van Stone Flange Features:

- Two-piece van stone socket style.
- Class 150, Schedule 80
- Improve the security and safety of connections between pipes, valves & fittings.
- Imported - Manufactured for AGI in an ISO 9002 facility.

DIMENSIONS \ SIZE (in)	SIZE (in)						
	2"	3"	4"	6"	8"	10"	12"
D1	5.93	7.49	8.93	11.08	13.38	15.83	18.76
D2	4.72	5.93	7.45	9.40	11.62	14.12	16.85
D3	2.96	4.21	5.19	7.45	9.28	12.09	14.20
d	1.99	3.00	3.98	6.08	7.96	9.98	11.97
d1	2.35	3.46	4.45	6.55	8.53	10.64	12.62
d2	2.37	3.48	4.48	6.59	8.57	10.68	12.67
H	1.68	2.11	2.50	3.32	4.60	5.85	7.45
T	.78	1.01	1.09	1.25	1.40	1.64	1.64
l	1.49	1.86	2.23	2.97	3.98	4.80	6.44
n-oe	.741	.741	.741	.858	.858	.936	.975

Part Number	Description	Ctn Qty	List Price
PF2	2" Flange	60	\$ 13.23
PF21/2	2 1/2" Flange	36	21.73
PF3	3" Flange	30	21.86
PF4	4" Flange	20	29.25
PF6	6" Flange	10	47.16
PF8	8" Flange	4	76.27
PF10	10" Flange	2	101.93
PF12	12" Flange	2	120.92



BBK Series

Bolt Kit Features:

- For use with cast iron & PVC butterfly valves. BF8200, HBFV and PBFV Series
- ASTM-A307 grade black steel bolts and A563 finished nuts.
- Washers and Gaskets NOT included- Available upon request.

Part Number	Valve Size	Bolt Size	Bolts/Kit	Ctn Qty	List Price
BBK2	2"	5/8" x 5"	4	16	\$ 22.28
BBK2.5/3	2 1/2" and 3"	5/8" x 5 1/2"	4	16	22.56
BBK4	4"	5/8" x 6"	8	8	41.49
BBK5/6	5" and 6"	3/4" x 6 1/2"	8	8	54.68
BBK8	8"	3/4" x 7"	8	8	60.96
BBK10	10"	7/8" x 7 1/2"	12	3	144.87
BBK12	12"	7/8" x 8 1/2"	12	3	164.87



GSK Series



Red Rubber Gasket Features:

- For use with butterfly valves, Sch 80 flanges
- Red rubber, 150 lbs., 1/8" full face.

Part Number	Valve Size	List Price
GSK11/2R	1 1/2"	\$ 5.42
GSK2R	2"	7.45
GSK21/2R	2 1/2"	9.65
GSK3R	3"	10.85
GSK4R	4"	11.83

Part Number	Valve Size	List Price
GSK5R	5"	\$ 13.72
GSK6R	6"	16.10
GSK8R	8"	22.14
GSK10R	10"	29.48
GSK12R	12"	47.90



Butterfly Valve Installation Kits



PBIK Series



Butterfly Valve Installation Kit Features:

- Everything needed for a quick, easy butterfly valve installation.
- Available with PVC Sch 80 or Ductile Iron butterfly valves.
- Custom kits available upon request.

PVC Butterfly Valve Installation Kit Includes:

- One PBFV Series PVC Sch 80 Butterfly valve.
- Two PF Series PVC Sch 80 Van Stone flanges.
- Two red rubber GSK gaskets.
- Bolt kit with steel nuts and bolts.
- Steel washers.

Part Number	Size	Number of Nuts/Bolts	Number of Washers	Ctn Qty	List Price
PBVIK2	2" Kit	4	8	1	\$ 311.99
PBVIK21/2	2 1/2" Kit	4	8	1	339.67
PBVIK3	3" Kit	4	8	1	338.69
PBVIK4	4" Kit	8	16	1	411.27
PBVIK6	6" Kit	8	16	1	653.81
PBVIK8	8" Kit	8	16	1	950.09



PHBFV Series



Ductile Iron Butterfly Valve Installation Kit Includes:

- One HBFV Series Ductile Iron Butterfly valve.
- Two PF Series PVC Sch 80 Van Stone flanges.
- Bolt kit with steel nuts and bolts.
- Steel washers.
- Rubber gaskets NOT included. (Extended EPDM seat on the HBFV valve acts as gasket seal with flange.)

Part Number	Size	Number of Nuts/Bolts	Number of Washers	Ctn Qty	List Price
PHBFV2NG	2" Kit	4	8	1	\$ 158.07
PHBFV21/2NG	2 1/2" Kit	4	8	1	194.91
PHBFV3NG	3" Kit	4	8	1	231.47
PHBFV4NG	4" Kit	4	8	1	292.60
PHBFV6NG	6" Kit	4	8	1	402.43
PHBFV8NG	8" Kit	4	8	1 *	652.35
PHBFV10NG	10" Kit	4	8	1 *	876.46
PHBFV12NG	12" Kit	4	8	1 *	1227.15

* Shipped in two cartons

