

AQUA Mate

Instruction Manual



Aquamate™, the self-pressurized, portable watering system

AQUA  matics

American Granby, Inc.

7645 Henry Clay Blvd. • Liverpool, New York 13088

Phone: (800) 726-9889 • Fax: (800) 677-2282

www.americangranby.com

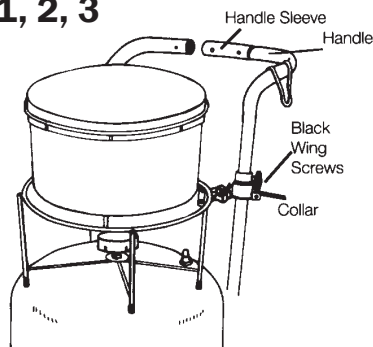
Assembly Instructions

AQUAMATE™ WATERING MACHINES COME COMPLETE WITH THE FOLLOWING PARTS

- Tank & Frame Assembly
- Tray & Lid installed (Models # 4, 5, and 6, installation required)
- Two Wand Tubes with Bubbler Heads
- Washable Utility Bag
- Service Kit Bag containing:
 - Wand Valve, Spray Head, Mist Head, Threaded Faucet Adapter
 - Hose Hook, Wand Tube Hook
 - Service Parts - Hose Washers, Clamps, touch-up paint
- Any accessories ordered

Step 1

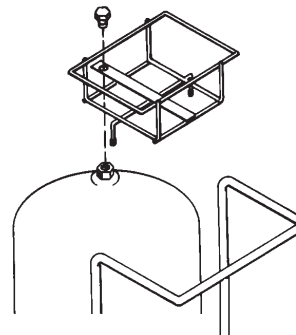
Model #1, 2, 3



HANDLE ASSEMBLY & ADJUSTMENT for MODELS #1, 2, 3

- Loosen black wing screws.
- Rotate handles to "in use" position.
- Slide handle sleeve over to cover both ends of handle.
- Rotate-sleeve until buttons pop through holes.
- Adjust handles to desired height and tighten black wing screws.
- Handles can be returned to original position for storage purposes.

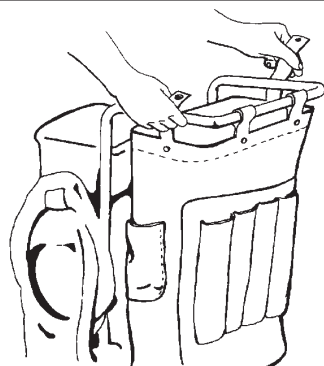
Model #4, 5, 6



TRAY RACK ASSEMBLY for MODELS #4, 5, 6

- Tray and lid are in inner box.
- Unscrew bolt from top of tank.
- Place tray rack on tank.
- Screw bolt through hole in support bar and tighten with a wrench.

Step 2



UTILITY BAG ASSEMBLY

- Wrap straps over handle.
- SNAP!!
- Pockets (facing away from the tank) are for maintenance tools.
- Made of polyester with a polyurethane coating inside.
- Utility bag can be washed in warm water with mild soap. Hang to dry.

Step 3

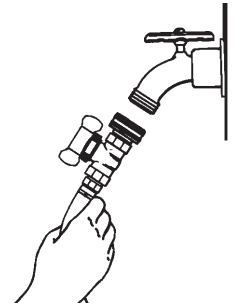
TOOL PLACEMENT

- Place the wide flat hose hook over the edge of the tray rack with a sideways, twisting motion. Coil your hose onto this hook.
- Place the thin tube wand valve hook over the tank handle. Hang your wand valve here.
- Wand tubes may be stored in the utility bag or next to the tank frame using the provided velcro strap or clear plastic tube.

Operating Instructions

Step 1 - Filling The Aquamate™ Watering Machine

- DO NOT EXCEED 40 PSI WATER PRESSURE
- USE WATER BETWEEN 50°F AND 75°F
- Screw swivel fitting onto a faucet.
(Use threaded faucet adapter if garden hose thread (G.H.T.) is not available.)
- Open the faucet and check to ensure fitting is secure.
- Open ball valve handle to fill AQUAMATE™.



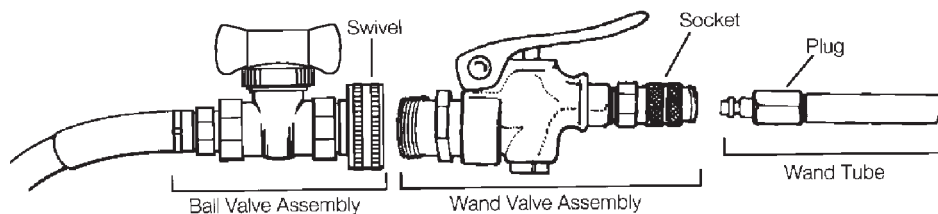
Filling Times (in minutes)

Model #1	Model #2	Model #3	Model #4	Model #5	Model #6
2 - 3	2 - 3	4 - 5	6 - 7	9 - 10	12 - 14

- WATER FLOW AUTOMATICALLY STOPS WHEN TANK IS FULL .
- When full, close faucet and ball valve handle; unscrew swivel fitting.

Step 2 - Attaching the Wand Valve and Wand Tubes

- Screw wand valve threads into swivel fitting of ball valve.
- Line up wand tube plug and wand valve socket - push together.
- To disconnect wand tube, pull socket ring towards wand valve body and remove wand tube.



Step 3 - Watering

- Open ball valve
- Depress trigger on wand valve
- Volume of water can be controlled three ways:
 - Closing or opening the ball valve
 - The trigger on the wand valve
 - Changing the nozzle on the end of the wand tubes.
- To change the nozzles on the wand tubes, unscrew existing nozzle and screw on preferred nozzle.
- Tighten nozzles by hand only.

Step 4 - Emptying the Tank

- Close the ball valve handle.
- Unscrew the wand valve,
- Open the ball valve and direct the water flow into a sink, drain, gutter, etc.
- Tank is empty when water flow stops.

Step 5 - Transportation and Storage

- **PUSH (DON'T PULL) YOUR AQUAMATE™ MACHINE.**
- **EMPTY TANK OF WATER PRIOR TO LIFTING**
- **DO NOT PULL TANK BY THE HOSE**
- **DO NOT LIFT MODEL 1-3 TANKS BY THEIR ADJUSTABLE HANDLES**
- Tank may be transported on its side.
- If storing tank in unheated facility, disconnect wand valve from ball valve and be sure tank is empty to prevent fittings from freezing and cracking.
- Do not leave tank in direct sunlight for long periods of time.

Step 6 - Maintenance

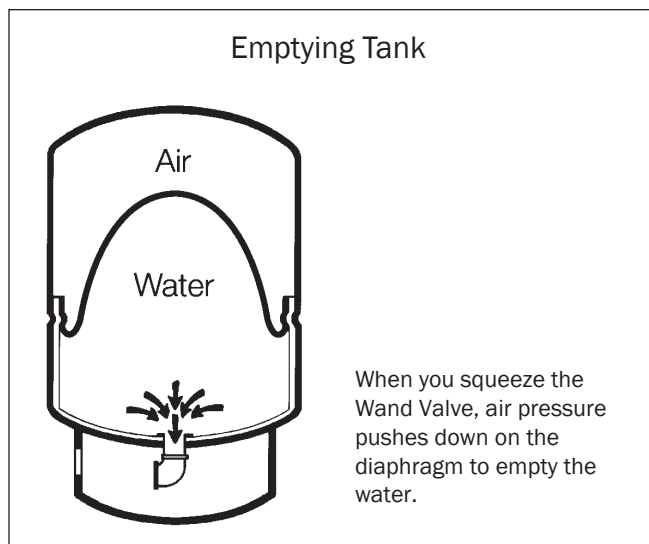
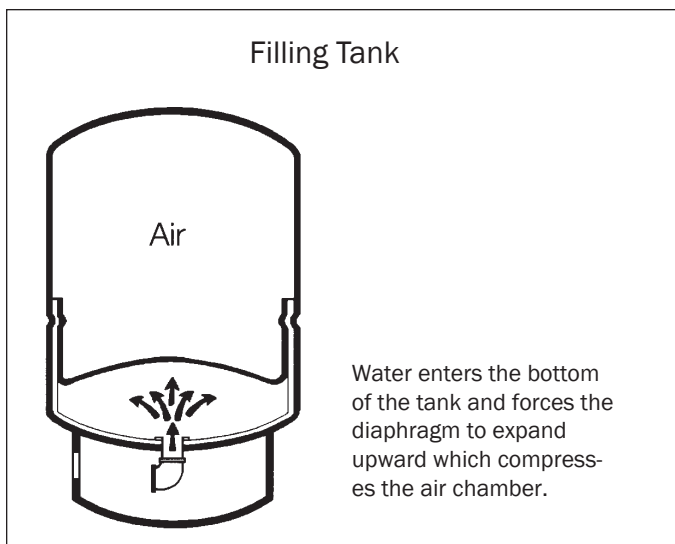
- **TANK PRESSURE** - We recommend you check the tank pressure 2 to 3 times a year.
 - Empty all water from the tank,
 - Remove the black air valve cap found on top of the tank to reveal the air stem.
 - Check the air pressure with a standard tire gauge.
 - Pressure should read 12-14 PSI.
 - **IF NECESSARY**, repressurize tank following the instructions on Page 5.

**AIR PRESSURE IS SET AT THE FACTORY, DO NOT RE-ADJUST
DOING SO MAY VOID YOUR WARRANTY**

- **CLEANING**
 - Use a sponge to remove any residual water. Tank may be buffed lightly with a car wax.
 - Utility bag may be washed in warm water with a mild soap. Hang to dry.
- **LUBRICATION** - Various parts of the Aqua-Mate require periodic lubrication.
 - Wheels should be lubricated with axle grease or white lithium grease twice a year.
 - The wand valve actuator can be lubricated with lithium grease or Vaseline on a toothpick or Q-Tip. Place a small amount of grease on the actuator under the trigger and through the garden hose thread opening.
 - Lubricate the ball valve under the on/off handle and through the garden hose thread opening.

**NEVER USE PETROLEUM BASED PRODUCTS (WD-40.)
IT CAN DISSOLVE RUBBER PARTS AND SEALS.**

How Your Self-Pressurized AQUAMATE™ Machine Works

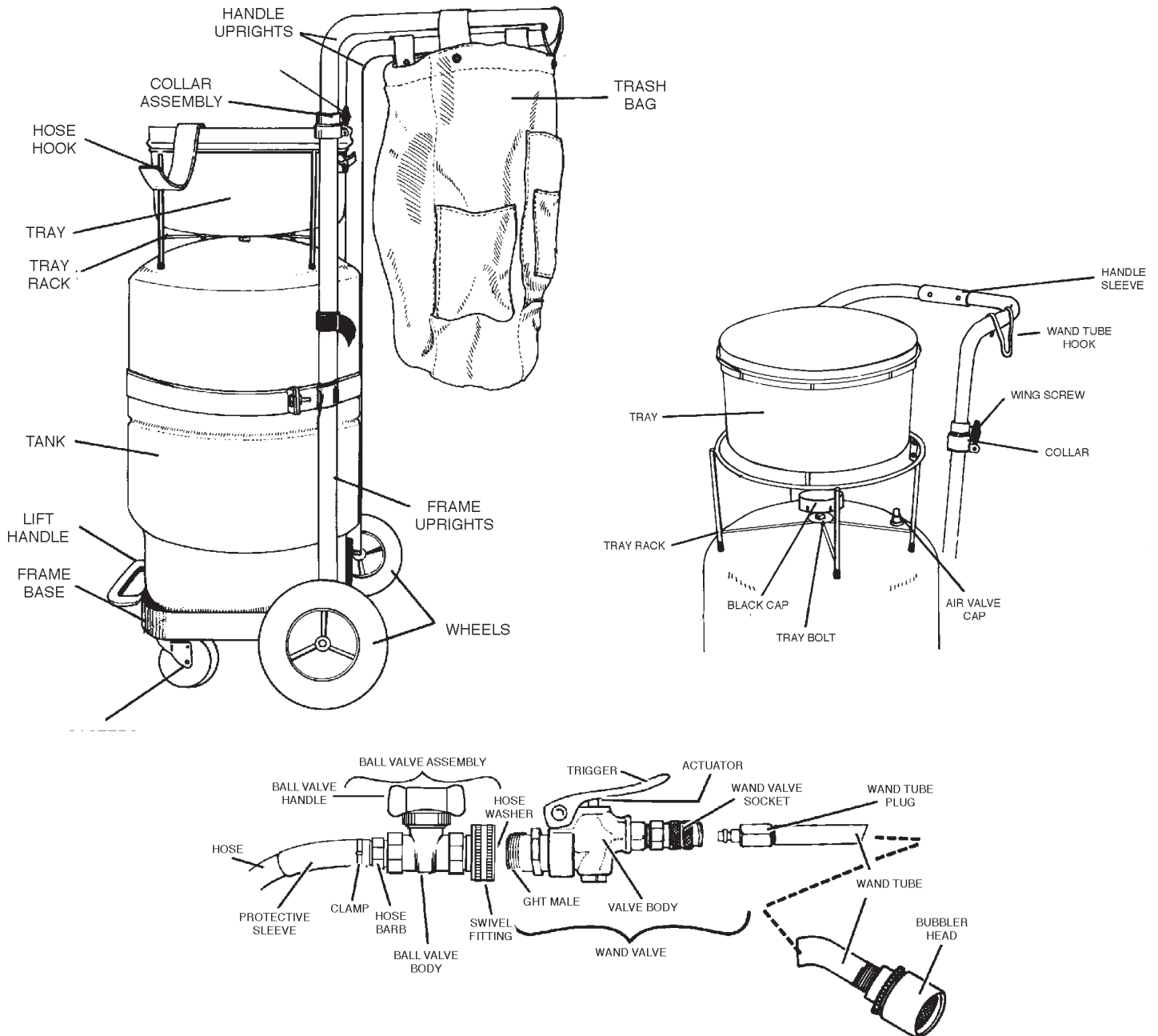


Troubleshooting Guide

Problem	Cause	Solution
<ul style="list-style-type: none"> Tank won't fill 	<ul style="list-style-type: none"> Low water pressure High pre-charged air pressure Ball valve closed Emergency Shut-off valve closed (select models) Machine exposed to direct sunlight 	<ul style="list-style-type: none"> Check water pressure in faucet. Empty water from tank, check air pressure, Reset to 12-14 PSI. Open Ball Valve. Open shut-off valve Allow tank to cool; check air pressure.
<ul style="list-style-type: none"> Tank fills, won't empty 	<ul style="list-style-type: none"> Loss of pressure in tank Broken tank diaphragm 	<ul style="list-style-type: none"> RE-PRESSURIZE TANK Increase tank pressure to 40 PSI. Open ball valve to release water in tank. When tank is empty, close the ball valve. Lower pressure back to 14 PSI. Call Customer Service. (800)726-9889
<ul style="list-style-type: none"> Water comes out too slowly 	<ul style="list-style-type: none"> Loss of air pre-charge pressure Partial blockage of valves or nozzles 	<ul style="list-style-type: none"> Empty tank, check air pressure, Reset to 12-14 PSI. Open ball valve completely. Check nozzles and valve for clogs or obstruction.
<ul style="list-style-type: none"> Leaks between wand valve & ball valve 	<ul style="list-style-type: none"> Worn out hose washer Swivel fitting cracked-freeze damage 	<ul style="list-style-type: none"> Replace hose washer. Supplied in service kit bag. Replace swivel fitting.

Schematic Diagrams

See our Parts Listing and Price sheet for complete identification of parts.



Terms & Conditions of Sale

Aquamatics' responsibility ceases upon delivery to any common carrier. Aquamatics does not, unless under previous written agreement, insure shipments beyond the point of delivery to such carrier. CLAIMS OF LOST OR DAMAGED PRODUCTS IN TRANSIT SHALL BE FILED BY THE CUSTOMER DIRECTLY TO THE CARRIER. Aquamatics shall not be responsible for delays resulting from strikes, accidents, negligence of carriers, or any other causes beyond our control. Aquamatics may, during a period of shortage due to causes beyond its control prorate the supply of its products among all of its customers in such a manner as may be deemed equitable at the sole discretion of Aquamatics. Materials must not be returned unless consent has first been obtained in writing from the Liverpool, New York office. Aquamatics reserves the right to refuse acceptance of deliveries of materials returned without this consent. All returns of saleable goods will be subject to a 25% restocking/handling charge. All authorized returned goods must be shipped prepaid by the customer.