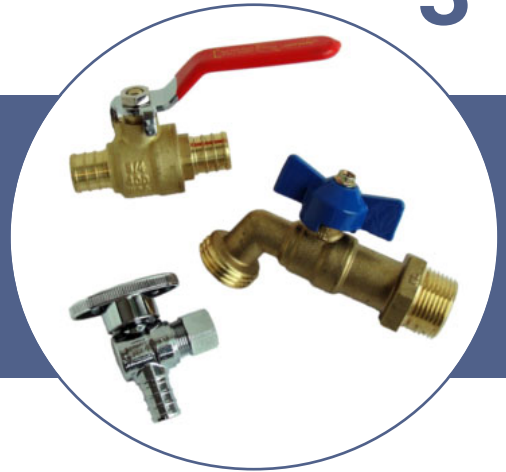


PLUMBING VALVES



Ball Valves - NL Brass, Stainless Steel, Brass	1-6, 9
Ball Valves - PVC & CPVC Molded-in-Place	17-20
Ball Valves - PVC Single Union	21-22
Ball Valves - PVC True Union	23-24
Butterfly Valves, Flanges, Bolt Kits, Gaskets, Installation Kits ..	27-31
Float Valves, Bronze	10
Gate Valves	11
Plumbing Valves - Low Pressure NL Brass, Brass	13-16
Slice Gate Valves	25-26
Supply Valves	7
Swing Check Valves	12
Wall Hydrants	32





HFBV6-NL Series



MATERIAL SPECIFICATIONS	
Handle nut	Zinc Coated Steel
Handle	Zinc Coated Steel
Gland Follower	NL Forged Brass
Stem Packing	PTFE
Ball	Chrome Plated NL Brass
Seats	PTFE
Body	NL Forged Brass
End Adapter	NL Forged Brass

NO LEAD Forged Brass Full Port Ball Valve

Features:

- Heavy pattern NO LEAD forged brass construction.
- Full port allows maximum flow & minimum pressure drop or turbulence.
- PTFE seats, chrome plated NO LEAD brass ball.
- PTFE stem packing with adjustable gland follower.
- Blow out proof stem design.
- **600 PSI** W.O.G. non-shock; **150 PSI** S.W.P.
- **CSA Certified (TXT only)**
- **Third party certified to NSF/ANSI 61 & 372.**



Part Number Threaded	Part Number Sweat	Size	Ctn/Case Qty
HFBV6-25TNL		1/4"	15/120
HFBV6-38TNL		3/8"	15/120
HFBV6-50TNL	HFBV6-50SNL	1/2"	15/120
HFBV6-75TNL	HFBV6-75SNL	3/4"	10/60
HFBV6-100TNL	HFBV6-100SNL	1"	8/48
HFBV6-125TNL	HFBV6-125SNL	1 1/4"	4/24
HFBV6-150TNL	HFBV6-150SNL	1 1/2"	2/24
HFBV6-200TNL	HFBV6-200SNL	2"	2/12
HFBV6-250TNL		2 1/2"	3/6
HFBV6-300TNL		3"	2/4
HFBV6-400TNL		4"	1/2



HFBV4-PEXNL Series

MATERIAL SPECIFICATIONS	
Handle Nut	Zinc Coated Steel
Handle	Zinc Coated Steel
Packing	PTFE
Packing Nut	Brass
Ball	Chrome Plated NL Brass
Seats	PTFE
Body	NL Forged Brass
End Adapter	NL Forged Brass

NO LEAD Forged Brass FULL Port Ball Valve with PEX Connections Features:

- Heavy pattern, full port, forged NO LEAD brass construction.
- PTFE seats, chrome plated NO LEAD brass ball.
- PTFE packing.
- Blow-out proof stem design.
- **400 PSI** W.O.G. non-shock; **125 PSI** S.W.P.
- PEX ends for use with PEX tubing connections.
- **Third party certified to NSF/ANSI 61 & 372.**



Part Number	Size	Ctn/Case Qty
HFBV4-50PEXNL	1/2"	25/100
HFBV4-75PEXNL	3/4"	10/60
HFBV4-100PEXNL	1"	10/40


HFBV4-PEXDNL Series

MATERIAL SPECIFICATIONS	
Handle Nut	Stainless Steel
Handle	Zinc Coated Steel
Packing	PTFE
Ball	CP NL Brass
Seats	PTFE
Body	NL Forged Brass
End Adapter	NL Forged Brass

NO LEAD Forged Brass FULL Port Ball Valve with PEX Connections and DRAIN Features:

- Heavy pattern, full port, forged NO LEAD brass construction.
- PTFE seats, chrome plated NO LEAD brass ball.
- PTFE packing.
- Blow-out proof stem design.
- **400 PSI** W.O.G. non-shock; **125 PSI** S.W.P.
- PEX ends for use with PEX tubing connections.
- Drain cap.
- **Third party certified to NSF/ANSI 61 & 372.**

Part Number	Size	Ctn/Case Qty
HFBV4-50PEXDNL	1/2"	10/100
HFBV4-75PEXDNL	3/4"	10/100
HFBV4-100PEXDNL	1"	10/80
HFBV4PEXDNL CAP	5/16"-24UNF	1


HFBV4-PEXSWNL Series

MATERIAL SPECIFICATIONS	
Handle Nut	Zinc Coated Steel
Handle	Zinc Coated Steel
Stem O-ring (2)	NBR
Ball	NL Brass
Seats	PTFE
Body	NL Forged Brass
End Adapter	NL Forged Brass

NO LEAD Forged Brass STANDARD Port Ball Valve with PEX x SWEAT Connections Features:

- Heavy pattern, standard port, forged NO LEAD brass construction.
- PTFE seats, chrome plated NO LEAD brass ball.
- NBR double o-ring stem seal.
- Blow-out proof stem design.
- **400 PSI** W.O.G. non-shock; **125 PSI** S.W.P.
- PEX x SWEAT ends for use with PEX tubing to copper tubing connections.
- **Third party certified to NSF/ANSI 61 & 372.**

Part Number	Size	Ctn/Case Qty
HFBV4-50PEXSWNL	1/2"	25/100
HFBV4-75PEXSWNL	3/4"	10/60


HFBV4-CENL Series

MATERIAL SPECIFICATIONS	
Handle Nut	Zinc Coated Steel
Handle	Zinc Coated Steel
Stem O-ring (2)	NBR
Ball	NL Brass
Seats	PTFE
Body	NL Forged Brass
End Adapter	NL Forged Brass

NO LEAD Forged Brass STANDARD Port Ball Valves with F1960 Cold Expansion Connections Features:

- Heavy pattern, standard port, forged NO LEAD brass construction.
- PTFE seats, chrome plated NO LEAD brass ball.
- NBR double o-ring stem seal.
- Blow-out proof stem design.
- **400 PSI** W.O.G. non-shock; **125 PSI** S.W.P.
- F1960 Cold Expansion ends for use with PEX tubing connections.
- **Third party certified to NSF/ANSI 61 & 372.**

Part Number	Size	Ctn/Case Qty
HFBV4-50CENL	1/2"	25/100
HFBV4-75CENL	3/4"	10/60
HFBV4-100CENL	1"	10/40



Ball Valves - NO LEAD Brass



HFBV6-INL Series

MATERIAL SPECIFICATIONS	
Handle	Zinc Plated Steel
Handle Nut	Zinc Plated Steel
Stem Packing	PTFE
Packing Nut	Brass
Ball	1/2"-1" Lead Free Brass
	1 1/4" SS #316
Seats	PTFE
Body	NL Brass
End Adapter	NL Brass

NO LEAD Forged Brass FULL Port Ball Valve with HOSE BARBS for Poly Pipe Connection Features:

- Heavy pattern, full port, forged NO LEAD brass construction.
- PTFE seats, chrome plated NO LEAD brass ball.
- PTFE stem packing with adjustable gland follower.
- Blow-out proof stem design.
- **600 PSI** W.O.G. non-shock; **150 PSI** S.W.P.
- Insert hose barb ends for use with **polyethylene pipe** connections.
- **Third party certified to NSF/ANSI 61 & 372.**



Part Number	Size	Ctn/Case Qty
HFBV6-50INL	1/2"	50/80
HFBV6-75INL	3/4"	6/60
HFBV6-100INL	1"	6/36
HFBV6-125INL	1 1/4"	5/20



HFBV6-IFTNL Series

MATERIAL SPECIFICATIONS	
Handle	Zinc Plated Steel
Handle Nut	Zinc Plated Steel
Stem Packing	PTFE
Packing Nut	Brass
Ball	3/4"-1" Lead Free Brass
	1 1/4" SS #316
Seats	PTFE
Body	NL Brass
End Adapter	NL Brass

NO LEAD Forged Brass FULL Port Ball Valve with HOSE BARB for Poly Pipe x FPT Connection Features:

- Heavy pattern, full port, forged NO LEAD brass construction.
- PTFE seats, chrome plated NO LEAD brass ball.
- PTFE stem packing with adjustable gland follower.
- Blow-out proof stem design.
- **600 PSI** W.O.G. non-shock; **150 PSI** S.W.P.
- Insert hose barb x FPT ends for use with **polyethylene pipe** and IPS connections.
- **Third party certified to NSF/ANSI 61 & 372.**



Part Number	Size	Ctn/Case Qty
HFBV6-75IFTNL	3/4"	6/60
HFBV6-100IFTNL	1"	6/36
HFBV6-125IFTNL	1 1/4"	5/20



BPBVNL

MATERIAL SPECIFICATIONS	
Handle	Zinc Coated Steel
Handle Nut	Stainless Steel
Packing	PTFE
Packing Nut	Brass
Ball	Chrome Plated Brass
Seats	PTFE
Body	NL Forged Brass
End Adapter	NL Forged Brass

NO LEAD Forged Brass Full Port Ball Valve with PUSH FIT Connection Features:

- Heavy pattern, full port, forges NO LEAD Brass construction.
- PTFE seat, chrome plated NO LEAD brass ball.
- PTFE packing.
- **200 psi, 125 psi** S.W.P.
- Push connect ends for use with copper tubing or PEX/PERT tubing connections.
- **Third party Certified lead free to NSF/ANSI 61 & 372.**



Part Number	Size	Ctn Qty
Brass Push Ball Valve FIT x FIT		
BPBV1/2NL	1/2X1/2	10/40
BPBV3/4NL	3/4X3/4	7/28
BPBV1NL	1X1	5/20

Ball Valves - NO LEAD Brass

Press End Connections ball valve features:

- Press end connections eliminate the need for soldering, reducing labor and material costs.
- Press end connections are designed for installation onto ASTM B88 types K, L and M hard-drawn copper tubing 1/2" - 4" and soft copper tubing 1/2" - 1 1/4"
- Use with Rigid, Milwaukee, Dewalt and Rothenburger tools.



HFBV25-PRSNL Series

MATERIAL SPECIFICATIONS	
Handle Nut	Plated Steel
Handle	Plated Steel
Packing	PTFE
Ball	Stainless Steel 304
Seats	PTFE
Body	Lead Free Brass
Stem	Brass 1/2-2" Stainless Steel 21/2-4"
Stem O-ring	BUNA-N
Press O-ring	EPDM

NO LEAD Brass Press End Ball Valve Features:

NEW



- Dezincification resistant brass.
- Gland follower and single o-ring stem design.
- Blow out proof stem.
- 250 psi WOG, Max Temp 250°F
- **Third party certified to NSF/ANSI 61&372.**



Part Number	Size	Ctn/Case Qty
HFBV25-50PRSNL	1/2"	10/100
HFBV25-75PRSNL	3/4"	10/60
HFBV25-100PRSNL	1"	8/40
HFBV25-125PRSNL	1 1/4"	4/36
HFBV25-150PRSNL	1 1/2"	2/16
HFBV25-200PRSNL	2"	2/12
HFBV25-250PRSNL	2 1/2"	1/6
HFBV25-300PRSNL	3"	1/4
HFBV25-400PRSNL	4"	1/2



HFBV25-PRSDNL Series

MATERIAL SPECIFICATIONS	
Handle Nut	Plated Steel
Handle	Plated Steel
Packing	PTFE
Ball	Stainless Steel 304
Seats	PTFE
Body	Lead Free Brass
Stem	Brass 1/2-2"
Stem O-ring	BUNA-N
Press O-ring	EPDM

NO LEAD Brass Press End Ball Valve with DRAIN Features:

NEW



- Dezincification resistant brass.
- Gland follower and single o-ring stem design.
- Blow out proof stem.
- 250 psi WOG, Max Temp 250°F
- **Third party certified to NSF/ANSI 61&372.**



Part Number	Size	Ctn/Case Qty
HFBV25-50PRSDNL	1/2"	10/100
HFBV25-75PRSDNL	3/4"	10/100
HFBV25-100PRSDNL	1"	8/40
HFBV25PRSDNL CAP	5/16"-24UNF	100/500

Ball Valves - NO LEAD Brass



HFBV25-PRSXPEXNL Series

MATERIAL SPECIFICATIONS	
Handle Nut	Plated Steel
Handle	Plated Steel
Packing	PTFE
Ball	Stainless Steel 304
Seats	PTFE
Body	Lead Free Brass
Stem	Brass 1/2-2"
Stem O-ring	BUNA-N
Press O-ring	EPDM

NO LEAD Brass Press x PEX End Ball Valve

NEW

Features:

- Dezincification resistant brass.
- Gland follower and single o-ring stem design.
- Blow out proof stem.
- 250 psi WOG, Max Temp 250°F
- **Third party certified to NSF/ANSI 61&372.**



Part Number	Size	Ctn/Case Qty
HFBV25-50PRSXPEXNL	1/2"	10/100
HFBV25-75PRSXPEXNL	3/4"	10/60
HFBV25-100PRSXPEXNL	1"	8/40



HFBV25-PRSXCENTL Series

MATERIAL SPECIFICATIONS	
Handle Nut	Plated Steel
Handle	Plated Steel
Packing	PTFE
Ball	Stainless Steel 304
Seats	PTFE
Body	Lead Free Brass
Stem	Brass 1/2-2"
Stem O-ring	BUNA-N
Press O-ring	EPDM

NO LEAD Brass Press x F1960 Cold Expansion End Ball Valve

NEW

Features:

- Dezincification resistant brass.
- Gland follower and single o-ring stem design.
- Blow out proof stem.
- 250 psi WOG, Max Temp 250°F
- **Third party certified to NSF/ANSI 61&372.**



Part Number	Size	Ctn/Case Qty
HFBV25-50PRSXCENTL	1/2"	10/100
HFBV25-75PRSXCENTL	3/4"	10/60
HFBV25-100PRSXCENTL	1"	8/40

Ball Valves - Stainless Steel



SSBV Series

MATERIAL SPECIFICATIONS

Handle Nut	Stainless Steel
Handle	Stainless Steel
Gland Follower	Stainless Steel
Stem Packing	PTFE
Packing Nut	Stainless Steel
Ball	Stainless Steel
Seats	PTFE
Body	Stainless Steel
End Adapter	Stainless Steel
Seal Gasket	PTFE

Stainless Steel Full Port Ball Valve Features:

- 304 Stainless steel ball valves
- Full Port, 1000 psi WOG
- Locking Handle (padlock not included)
- Investment castings.
- PTFE seal and packing.
- Blow-out proof stem.
- FPT x FPT
- **Third party certified no lead to NSF/ANSI 372.**



Part Number	Description	Size T x T	Case Qty
SSBV25TLH	Stainless 1000#	1/4"	2/80
SSBV38TLH	Stainless 1000#	3/8"	2/80
SSBV50TLH	Stainless 1000#	1/2"	4/80
SSBV75TLH	Stainless 1000#	3/4"	4/60
SSBV100TLH	Stainless 1000#	1"	4/40
SSBV125TLH	Stainless 1000#	1 1/4"	4/20
SSBV150TLH	Stainless 1000#	1 1/2"	2/12
SSBV200TLH	Stainless 1000#	2"	2/8
SSBV250TLH	Stainless 1000#	2 1/2"	2/4
SSBV300TLH	Stainless 1000#	3"	2/4
SSBV400TLH	Stainless 1000#	4"	2/4



SSBV Series

Stainless Steel Ball Valve with PEX connections Features:

- 304 Stainless steel ball valves
- Investment casting
- 304 Stainless steel body, ball, stem and handle
- PTFE stem seal, NBR packing.
- PEX x PEX ends
- 600 psi CWP
- Temperature Range: -40°F to 200°F
- cUPC certified
- **Third party certified no lead to NSF/ANSI 61 & 372.**

NEW



Part Number	Description	Size	Case Qty
SSBV50PEX	Stainless 600#	1/2"	20/120
SSBV75PEX	Stainless 600#	3/4"	10/100
SSBV100PEX	Stainless 600#	1"	10/60

NO LEAD Brass Chrome Plated Supply Valve with PEX, PUSH FIT and F1960 COLD EXPANSION Connections

Features:

- Chrome Plated No Lead DZR Brass.
- 1/4 Turn ABS Oval Handle.
- For use with PEX, Push Fit and Cold Expansion tubing connections.
- Maximum pressure rating: 125 psi
- Maximum temperature rating: 180°F (82°C)
- Stem Packing: Double NBR o-ring.
- Seat Material: PTFE
- **Third party certified to NSF/ANSI 61&372.**



PEX Angle Valve



PEX Straight Valve



CE Angle Valve



CE Straight Valve



PUSH Angle Valve



PUSH Straight Valve

Part Number	Size Description	Inner/Ctn Qty
PEX Insert x Compression		
ANGLE STOP Valve		
CPSVA1/2PX1/4CNL	1/2 x 1/4 Angle Stop Ch Plated NL	12/144
CPSVA1/2PX3/8CNL	1/2 x 3/8 Angle Stop Ch Plated NL	12/144
STRAIGHT STOP Valve		
CPSVS1/2PX3/8CNL	1/2 x 3/8 Straight Stop Ch Plated NL	12/144
F1960 Cold Expansion Insert x Compression		
ANGLE STOP Valve		
CPSVA1/2CEX1/4CNL	1/2 x 1/4 Angle Stop Ch Plated NL	12/144
CPSVA1/2CEX3/8CNL	1/2 x 3/8 Angle Stop Ch Plated NL	12/144
STRAIGHT STOP Valve		
CPSVS1/2CEX3/8CNL	1/2 x 3/8 Straight Stop Ch Plated NL	12/144
PUSH FIT x Compression		
ANGLE STOP Valve		
CPSVA1/2PFX1/4CNL	1/2 x 1/4 Angle Stop Ch Plated NL	10/100
CPSVA1/2PFX3/8CNL	1/2 x 3/8 Angle Stop Ch Plated NL	10/100
STRAIGHT STOP Valve		
CPSVS1/2PFX3/8CNL	1/2 x 3/8 Straight Stop Ch Plated NL	10/100

NEW



Ball Valves - NON POTABLE Brass



HFBV6 Series



MATERIAL SPECIFICATIONS	
Handle nut	Zinc Coated Steel
Handle	Zinc Coated Steel
Gland Follower	Forged Brass
Stem Packing	PTFE
Ball	Chrome Plated Brass
Seats	PTFE
Body	Forged Brass
End Adapter	Forged Brass

Forged NON POTABLE Brass Full Port Ball Valve Features:

- Heavy pattern forged leaded brass construction.
- Full port allows maximum flow & minimum pressure drop or turbulence.
- PTFE seats, chrome plated brass ball.
- PTFE stem packing with adjustable gland follower.
- Blow out proof stem design.
- **600 PSI** W.O.G. non-shock; **150 PSI** S.W.P. (400 PSI 2 1/2", 3" 4")
- **CSA Certified (TxT only), UL Listed.**



Part Number	Part Number	Size	Ctn/Case Qty
Threaded	Sweat		
HFBV6-25T		1/4"	50/100
HFBV6-38T		3/8"	50/100
HFBV6-50T	HFBV6-50S	1/2"	50/100
HFBV6-75T	HFBV6-75S	3/4"	30/60
HFBV6-100T	HFBV6-100S	1"	20/40
HFBV6-125T	HFBV6-125S	1- 1/4"	12/24
HFBV6-150T	HFBV6-150S	1-1/2"	9/18
HFBV6-200T	HFBV6-200S	2"	6/12
HFBV6-250T		2-1/2"	3/6
HFBV6-300T		3"	2/4
HFBV6-400T		4"	2



HFBV6-I Series

MATERIAL SPECIFICATIONS	
Handle nut	Zinc Coated Steel
Handle	Zinc Coated Steel
Gland Follower	Forged Brass
Stem Packing	PTFE
Ball	Chrome Plated Brass
Seats	PTFE
Body	Forged Brass
End Adapter	Forged Brass

Forged NON POTABLE Brass FULL Port Ball Valve with Hose Barbs Features:

- Heavy pattern, full port, forged leaded brass construction.
- PTFE seats, chrome plated brass ball.
- PTFE stem packing with adjustable gland follower.
- Blow-out proof stem design.
- **600 psi W.O.G.** non-shock; **150 psi S.W.P.**
- Insert hose barb ends for use with polyethylene pipe connections.



Part Number	Size	Ctn/Case Qty
HFBV6-50I	1/2"	50/100
HFBV6-75I	3/4"	30/60
HFBV6-100I	1"	20/40
HFBV6-125I	1-1/4"	12/24



HGBVL Series



ISO 9001

MATERIAL SPECIFICATIONS	
Handle Screw	Steel
Handle	Aluminum
Stem O-Rings	NBR
Stem	Forged Brass
Ball	Chrome Plated Brass
Seats	PTFE
Body	Forged Brass
End Adapter	Forged Brass

Forged Brass Gas Ball Valve Features:

- Heavy duty two piece forged brass body.
- For use with natural, manufactured, mixed, liquified petroleum and LP gas/air mixtures.
- Meets ANSI standard Z21.15 for use as a gas appliance connector valve (1/2 lb. system). CSA, US/AGA B-16.44
- Pressure rated at 175 psi W.O.G. non-shock.
- Imported, Mfg for American Granby in an ISO 9001 facility.



DIMENSIONS (IN.)	BTU Capacity/Hr.			
	SIZE	A	B	C
1/2"	2.21	1.46	1.81	295,000
3/4"	2.38	1.75	1.81	795,000
1"	2.91	1.89	1.81	1,200,000

Part Number	Size t x t	Ctn/Case Qty
HGBVL50T	1/2"	12/144
HGBVL75T	3/4"	12/96
HGBVL100T	1"	6/96

Float Valves - NO LEAD



NO LEAD Brass Float Valve Features:

- NO LEAD Brass or Bronze* body
 - Heavy Duty
 - NBR rubber seals
 - Threaded outlet up to 1". Plain over 1"
 - Tapped for 1/4"-20SAE rod up to 1"
 - Tapped for 3/8"-16UNC rod over 1"
 - Rated at 125 psi
 - **Third party certified to NSF61/ANSI 372.**
- * Bronze body third party certified to NSF/ANSI 372



Part Number	Size	Inlet	Outlet	Tapped	Ctn Qty
BFVNL3/8	3/8"	3/8" mpt	3/8" mpt	1/4"-20UNC	10/100
BFVNL1/2	1/2"	1/2" mpt	1/2" mpt	1/4"-20UNC	10/100
BFVNL3/4	3/4"	3/4" mpt	3/4" mpt	1/4"-20UNC	10/80
BFVNL1 *	1"	1" mpt	1" mpt	1/4"-20UNC	10/40
BFVNL11/4	1 1/4"	1 1/4" fpt	plain	3/8"-16UNC	2/20
BFVNL11/2	1 1/2"	1 1/2" fpt	plain	3/8"-16UNC	2/16
BFVNL2	2"	2" fpt	plain	3/8"-16UNC	2/12



BFVR Series

Stainless Steel Rods Features:

- Stainless Steel SAE
- Male thread both ends
- **Third party certified to NSF/ANSI 372.**



Part Number	Length	Thread	Fits Valve Size	Ctn Qty
BFVR8	8"	1/4"-20SAE	1/2" - 1"	50/400
BFVR10	10"	1/4"-20SAE	1/2" - 1"	50/300
BFVR12	12"	1/4"-20SAE	1/2" - 1"	50/300



BFVFP Series

Plastic Float Features:

- PVC, Corrosion resistant.
- Lightweight
- Up to 175°F
- For open tank service only
- Bronze or NO LEAD bronze threaded connection.
- **Third party certified to NSF/ANSI 372.**



Part Number	Float Diam.	Buoyancy	Female Connection	Ctn Qty
BFVFPNL5	5"	2.17 lbs.	1/4"-20SAE	100
BFVFPNL6	6"	3.8 lbs.	1/4"-20SAE	100
BFVFPNL8	8"	9.87 lbs.	1/4"-20SAE	20



GV200 Series

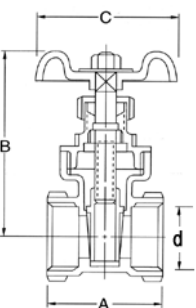
GV200 Series Forged NON POTABLE Brass Gate Valve

Features:

- Constructed of heavy duty forged non potable brass.
- **Die-cast** body, **forged** bonnet are connected with a PTFE body to bonnet gasket for a leak proof seat.
- Screwed bonnet, non-rising stem, solid wedge disc and integral seats.
- Graphite stem seal packing.
- Cast iron hand wheel
- Rated at **200 PSI WOG; 125 PSI SWP** (working pressure, non shock)
- Threaded ends produced to ANSI/ASME B1.20.1 (NPT) standards.
- Sweat ends produced to ANSI B16.18-1984 standards
- Imported



MATERIAL SPECIFICATIONS	
Wheel Nut	Stainless Steel
Hand Wheel	Gray Iron
Packing Nut	Brass
Gland Follower	Brass
Stem Seal Packing	Graphite
Bonnet	Brass
Body-Bonnet Gasket	PTFE
Lock Nut	Brass
Stem	Brass
Disc	Brass
Body	Brass

DIMENSIONS (IN.)	SIZE	A (IPS)	A (CxC)	B (IPS)	B (CxC)	C	d
	1/2"	1.68	1.76	2.80	2.79	2.17	.51
	3/4"	1.76	2.34	2.99	3.10	2.17	.67
	1"	1.97	2.69	3.45	3.63	2.36	.83
	1 1/4"	2.30	3.01	4.06	4.37	2.84	1.07
	1 1/2"	2.46	3.36	4.47	4.96	2.84	1.34
	2"	2.69	3.98	5.26	6.13	3.15	1.77
	2 1/2"	3.43		6.44		3.94	2.21
	3"	3.71		7.48		4.33	2.68
	4"	4.45		9.25		5.12	3.55

Threaded Part Number	Sweat Part Number	Size	Ctn/Case Qty
GV200-50T		1/2"	10 / 100
	GV200-50S	1/2"	10 / 100
GV200-75T		3/4"	10 / 100
	GV200-75S	3/4"	10 / 100
GV200-100T		1"	5 / 50
	GV200-100S	1"	5 / 50
GV200-125T		1 1/4"	5 / 50
	GV200-125S	1 1/4"	5 / 50
GV200-150T		1 1/2"	2 / 30
	GV200-150S	1 1/2"	2 / 30
GV200-200T		2"	2 / 20
	GV200-200S	2"	2 / 20
GV200-250T		2 1/2"	1 / 10
GV200-300T		3"	1 / 10
GV200-400T		4"	1 / 4

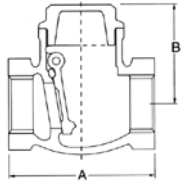
Valves - Swing Check

NO LEAD Brass and NON POTABLE Brass Swing Check Valve Features:



- Constructed of heavy duty cast NO LEAD brass or non potable brass.
- Screwed cap, swing type disc and integral seat.
- Prevents backflow while offering full flow performance with a minimum of turbulence or pressure loss.
- Rated **200 PSI W.O.G.** (working pressure non-shock)
- NO LEAD Brass swing check valves third party certified to NSF/ANSI 61&372.
- Manufactured for American Granby in an ISO 9001 factory.

ISO 9001

DIMENSIONS (IN.)	BRASS				NO LEAD BRASS				
	SIZE	A (TxT)	A (CxC)	B (TxT)	B (CxC)	A (TxT)	A (CxC)	B (TxT)	B (CxC)
	1/2"	2.05	2.05	1.47	1.49	2.09	2.40	1.42	1.40
	3/4"	2.32	2.32	1.58	1.58	2.36	3.15	1.56	1.52
	1"	2.56	2.56	1.68	1.68	2.62	3.50	1.77	1.73
	1 1/4"	3.12	3.12	1.84	1.84	3.19	4.15	2.07	2.07
	1 1/2"	3.45	3.45	2.15	2.15	3.54	4.57	2.17	2.13
	2"	4.16	4.16	2.69	2.69	4.21	5.47	2.74	2.68
	2 1/2"	5.11		2.93		5.14		3.09	
	3"	5.74		3.78		5.77		3.80	
	4"	6.79		3.90		6.84		4.25	

Brass - NO LEAD



MATERIAL SPECIFICATIONS

Cap	No Lead Brass
Body	No Lead Brass
Disc	No Lead Brass
Hinge Pin	No Lead Brass
Screw	No Lead Brass

NL Threaded Part Number

NL Sweat Part Number

Ctn/Case Qty

Part Number	Part Number	Size	Qty
HSCV50TNL		1/2"	12/120
	HSCV50SNL	1/2"	12/120
HSCV75TNL		3/4"	10/80
	HSCV75SNL	3/4"	10/80
HSCV100TNL		1"	5/60
	HSCV100SNL	1"	5/60
HSCV125TNL		1-1/4"	5/40
	HSCV125SNL	1-1/4"	5/40
HSCV150TNL		1-1/2"	5/30
	HSCV150SNL	1-1/2"	5/30
HSCV200TNL		2"	2/24
	HSCV200SNL	2"	2/24
HSCV250TNL		2-1/2"	1/15
HSCV300TNL		3"	1/6
HSCV400TNL		4"	1/4

Brass - Non Potable



MATERIAL SPECIFICATIONS

Cap	Brass
Body	Brass
Disc	Brass
Hinge Pin	Brass
Screw	Brass

Threaded Part Number

Sweat Part Number

Ctn/Case Qty

Part Number	Part Number	Size	Qty
HSCV50T		1/2"	10/120
	HSCV50S	1/2"	10/120
HSCV75T		3/4"	10/80
	HSCV75S	3/4"	10/80
HSCV100T		1"	5/60
	HSCV100S	1"	5/60
HSCV125T		1-1/4"	5/40
	HSCV125S	1-1/4"	5/40
HSCV150T		1-1/2"	5/30
	HSCV150S	1-1/2"	5/30
HSCV200T		2"	2/24
	HSCV200S	2"	2/24
HSCV250T		2-1/2"	1/15
HSCV300T		3"	1/10
HSCV400T		4"	1/6



BOILER DRAINS • HOSE BIBBS

- 125 PSI WOG (working pressure - non-shock), 200 PSI WOG (1/4 turn ball valve hose bibbs)
- All valves shown are UPC rated and third party certified to NSF/ANSI 372.
- Imported



HNKDNL Series



HBDNL Series



HBD-SBNL Series



EIBD-SBNL Series



IBD-SBNL Series



IBDBVNL Series



HHBNL Series



HHBNHTNL Series



HHBSBHDNL Series



NSF/ANSI CAN 61-4 & 372

Part Number	Size	Description	Ctn/Case Qty
NO LEAD Brass No-Kink Boiler Drains			
HNKD50NL ☺	1/2"	mip x ght	12/144
HNKD75NL	3/4"	mip x ght	12/144

NO LEAD Brass Boiler Drains			
HBD50NL ☺	1/2"	mip x ght	12/144
HBD75NL	3/4"	mip x ght	12/144
HBD50SBNL ☺	1/2"	w/ stuffing box mip x ght	12/144
HBD75SBNL	3/4"	w/ stuffing box mip x ght	12/144

NO LEAD Brass Full Flow Boiler Drains - ECONOMY			
EIBD50SBNL ☺	1/2"	w/ stuffing box mip x ght	12/144
EIBD75SBNL	3/4"	w/ stuffing box mip x ght	12/144

NO LEAD Brass Full Flow Boiler Drains			
IBD50SBNL ☺	1/2"	w/ stuffing box mip x ght	12/144
IBD75SBNL	3/4"	w/ stuffing box mip x ght	12/144

NO LEAD 1/4 turn Ball Valve Brass Boiler Drain w/ Butterfly Handle			
IBDBV50NL ☺	1/2"	mip x ght	12/144
IBDBV75NL	3/4"	mip x ght	12/144

NO LEAD Brass Hose Bibbs			
HHB50NL ☺	1/2"	mip x ght	12/144
HHB75NL	3/4"	mip x ght	12/144

NO LEAD Brass Hose Bibbs - No Garden Hose Thread, Sampling Valve			
HHB50NHTNL ☺	1/2"	mip x spout	12/144
HHB75NHTNL	3/4"	mip x spout	12/144

NO LEAD Brass Hose Bibbs - HEAVY PATTERN - Certified NSF61			
HHB50SBHDNL	1/2"	mip x ght	12/72
HHB75SBHDNL	3/4"	mip x ght	12/72

☺ Has combination 1/2" mip and 1/2" solder connection

1/4 TURN BALL VALVE HOSE BIBBS • BENT NOSE GARDEN • ANGLE SILL COCKS

- 200 PSI WOG (1/4 turn ball valve hose bibbs)
- Valves shown are UPC rated and third party certified to NSF/ANSI 372.
- Imported



IHBB NL Series

IHBBNHTNL Series

Part Number	Size	Description	Ctn/Case Qty
-------------	------	-------------	--------------

NO LEAD Brass 1/4 turn Ball Valve Hose Bibb w/ T Handle - 200 psi WOG non-shock- NSF61

IHBB50NL ☺	1/2"	1/4 turn NL mip x ght	12/144
IHBB75NL	3/4"	1/4 turn NL mip x ght	12/144

NO LEAD Brass 1/4 turn Ball Valve Brass Hose Bibbs w/ T Handle - 200 psi WOG non-shock - No garden hose thread - Sampling valve - NSF61

IHBB50NHTNL ☺	1/2"	1/4 turn NL mip x spout	12/144
IHBB75NHTNL	3/4"	1/4 turn NL mip x spout	12/144



IHBBSS Series

IHBBSSNHT Series

304 STAINLESS STEEL 1/4 turn Ball Valve Hose Bibbs w/ T Handle - 200 psi WOG non-shock (with stainless steel T handle) - NSF61

IHBB50SS	1/2"	STAINLESS mip x ght	12/144
IHBB75SS	3/4"	STAINLESS mip x ght	12/144

304 STAINLESS STEEL 1/4 turn Ball Valve Hose Bibbs w/ T Handle - 200 psi WOG non-shock - No garden hose thread - Sampling valve - NSF61

IHBB50SSNHT	1/2"	STAINLESS mip x spout	12/144
IHBB75SSNHT	3/4"	STAINLESS mip x spout	12/144



HBNGNL

HSCNL

NO LEAD Brass Full Flow Bent Nose Garden Valves (CA AB1953 certified)

HBNG50NL	1/2"	fip x ght	12/72
HBNG75NL	3/4"	fip x ght	12/72
HBNG100NL	1"	fip x ght	12/72

NO LEAD Brass Angle Sill Cocks (CA AB1953 certified)

HSC50TNL	1/2"	fip x ght	12/144
HSC75TNL	3/4"	fip x ght	12/144

☺ Has combination 1/2" mip and 1/2" solder connection



HVB75NL

HVBAD75NL

No Lead Brass Vacuum Breaker Features:

- HVBAD has automatic back drain and can be manually drained.
- ASSE 1011
- Third party certified to NSF/ANSI 372. HVBAD75NL to NSF/ANSI 61&372



Part Number	Description	Ctn/Case Qty
-------------	-------------	--------------

NO LEAD Vacuum Breaker		
HVB75NL	3/4" NL Brass fght x mght	10/100
HVBAD75NL	3/4"NL Brass w/ auto back drain fght x mght	10/100



NSF/ANSI 61 & 372

BOILER DRAINS • HOSE BIBBS

- 125 PSI WOG (working pressure - non-shock), 200 PSI WOG (1/4 turn ball valve hose bibbs)
- All valves shown below are UPC rated except IHBB Series
- Imported



HNKD Series



HBD Series



HBD-SB Series



IBD-SB Series



IBDBV Series



HHB Series

© Has combination 1/2" mip and 1/2" solder connection

Part Number	Size	Description	Ctn/Case Qty
Brass No-Kink Boiler Drains			
HNKD50 ©	1/2"	mip x ght	12/144
HNKD75	3/4"	mip x ght	12/144

Brass Boiler Drains			
HBD50 ©	1/2"	mip x ght	12/144
HBD75	3/4"	mip x ght	12/144
HBD50SB ©	1/2"	w/ stuffing box mip x ght	12/144
HBD75SB	3/4"	w/ stuffing box mip x ght	12/144

Brass Full Flow Boiler Drains			
IBD50SB ©	1/2"	w/ stuffing box mip x ght	12/144
IBD75SB	3/4"	w/ stuffing box mip x ght	12/144

1/4 turn Ball Valve Brass Boiler Drain w/ Butterfly Handle			
IBDBV75	3/4"	mip x ght	12/144

Brass Hose Bibbs			
HHB50 ©	1/2"	mip x ght	12/144
HHB75	3/4"	mip x ght	12/144

MULTI-TURN FROST-FREE SILL COCKS



- Durable chrome plated body offers corrosion resistance.
- 360° multi-turn handwheel for easy on/off operation.
- Tapered sill wedge for easy installation at correct angle.
- Anti-siphon vacuum breaker prevents backflow.
- 3/4" GHT spout
- Cold working pressure 125 psi
- Certified to ASSE Standard 1019, type A.
- MIP/SWT ends conform to ANSI/ASME B1.20.1, ANSI/ASME B16.18
- PEX crimp ends conform to ASTM F1807
- CE cold expansion pex ends conform to ASTM F1960.



H500 Series

Part Number	Size	Connections	Ctn/Case Qty
Frost Free Sill Cocks - MIP x SWT connection			
H504	1/2 x 4"	MIP x SWT	2/40
H506	1/2 x 6"	MIP x SWT	2/40
H508	1/2 x 8"	MIP x SWT	2/40
H510	1/2 x 10"	MIP x SWT	2/40
H512	1/2 x 12"	MIP x SWT	2/40
H514	1/2 x 14"	MIP x SWT	2/40



H500AS Series

Anti-Siphon Frost Free Sill Cocks* w vacuum breaker - MIP x SWT			
H506AS	1/2 x 6"	MIP x SWT	2/30
H508AS	1/2 x 8"	MIP x SWT	2/30
H510AS	1/2 x 10"	MIP x SWT	2/30
H512AS	1/2 x 12"	MIP x SWT	2/30
H514AS	1/2 x 14"	MIP x SWT	2/30



H500ASPEX Series

Anti-Siphon Frost-Free Sill Cock w/ vacuum breaker - PEX 1807 connection			
H504ASPEX	1/2 x 4"	PEX	2/30
H506ASPEX	1/2 x 6"	PEX	2/30
H508ASPEX	1/2 x 8"	PEX	2/30
H510ASPEX	1/2 x 10"	PEX	2/30
H512ASPEX	1/2 x 12"	PEX	2/30
H514ASPEX	1/2 x 14"	PEX	2/30



H500ASCE Series

Anti-Siphon Frost-Free Sill Cock w/ vacuum breaker - PEX/CE 1960 connection			
H504ASCE	1/2 x 4"	CE	2/30
H506ASCE	1/2 x 6"	CE	2/30
H508ASCE	1/2 x 8"	CE	2/30
H510ASCE	1/2 x 10"	CE	2/30
H512ASCE	1/2 x 12"	CE	2/30
H514ASCE	1/2 x 14"	CE	2/30



H500ASPF Series

Anti-Siphon Frost-Free Sill Cock w/ vacuum breaker - PUSH FIT connection*			
H504ASPF	1/2 x 4"	PUSH FIT	2/30
H506ASPF	1/2 x 6"	PUSH FIT	2/30
H508ASPF	1/2 x 8"	PUSH FIT	2/30
H510ASPF	1/2 x 10"	PUSH FIT	2/30
H512ASPF	1/2 x 12"	PUSH FIT	2/30
H514ASPF	1/2 x 14"	PUSH FIT	2/30

* Push Fit connection includes 1/2" removal tool.



HVB75



Vacuum Breaker	Meets ASSE 1011 specifications	
HVB75	3/4" fght x mght	20/200



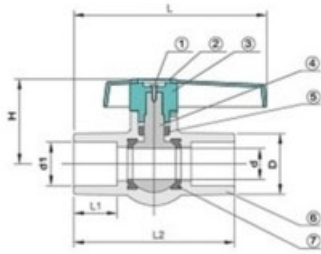
Economy Series PVC Molded-In-Place Ball Valve Features:



- Heavy duty thermoplastic white PVC (Type 1, Grade 1) construction.
- White body, blue handle.
- **Straight lever** handle on 1/2" through 2". **Curved lever** handle on 2 1/2", 3" and 4".
- EPDM seats provide excellent chemical resistance.
- EPDM "o" ring stem seal.
- 150 PSI working pressure at 73°F water, non-shock.
- Maintenance free compact design.
- Severe shock loads and misalignment stress are absorbed by the valve body, not the ball & seat, minimizing the chance of uneven wear & leakage.
- Third party certified no lead to NSF/ANSI 61&372.
- Individually cartoned.
- Imported.

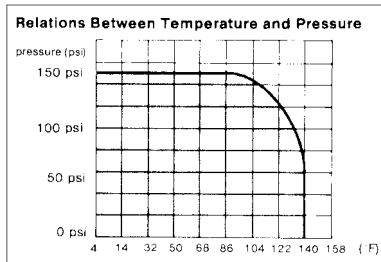
CV (GPM/(1 lbf/in ²) ^{1/2})	
Opening Rate: 90"	
SIZE	CV
1/2"	14.5
3/4"	29.5
1"	48.0
1 1/4"	71.0
1 1/2"	135.0
2"	180.0
2 1/2"	225.0
3"	400.0
4"	865.9

EMIP TE/SE Series						
IPS DIMENSIONS (mm)						
SIZE	d	d1	D	L1	L	H
1/2"	15	21.54	31.4	19.6	91	34.5
3/4"	20	26.87	36.8	20.4	103	51.0
1"	25	33.65	43.0	26.4	119	58.5
1 1/4"	32	24.42	42.5	27.0	134	67.4
1 1/2"	36	48.56	63.2	30.9	154	73.2
2"	48	60.63	76.4	38.0	180	87.0
2 1/2"	63	73.38	90	45.0	182	103.5
3"	75	89.31	109	50.4	223	118.5
4"	97	114.76	132	62.6	252	130.3



MATERIAL SPECIFICATIONS		
1	Screw	Zinc Plated Steel
2	Cap	ABS
3	Handle	ABS
4	Ball	PVC
5	Stem Seal o-ring	EPDM
6	Body	PVC
7	Seat Seal	EPDM

Threaded Part Number	Slip Part Number	Size	Master Case Qty
EMIP50TE	EMIP50SE	1/2"	210
EMIP75TE	EMIP75SE	3/4"	137
EMIP100TE	EMIP100SE	1"	95
EMIP125TE	EMIP125SE	1 1/4"	56
EMIP150TE	EMIP150SE	1 1/2"	36
EMIP200TE	EMIP200SE	2"	24
EMIP250TE	EMIP250SE	2 1/2"	9
EMIP300TE	EMIP300SE	3"	8
EMIP400TE	EMIP400SE	4"	6





MATERIAL SPECIFICATIONS

Body	PVC
Seat Seal	EPDM, PTFE
Ball	PVC
Stem Seal o-ring	EPDM
Handle	ABS
Bolt	Zinc Plated Steel
Cap	ABS

SCH 80 Series PVC Molded-In-Place Ball Valve Features:

- Heavy duty thermoplastic white PVC (Type 1, Grade 1) construction. Materials meet NSF standards.
- Meets ASTM 2467 Schedule 80.
- White body, red handle.
- Available with PTFE or EPDM seats providing excellent chemical resistance.
- EPDM "o" ring stem seal
- 150 PSI working pressure at 73°F water, non-shock.
- Maintenance free compact design.
- Severe shock loads and misalignment stress are absorbed by the valve body, not the ball & seat, minimizing the chance of uneven wear & leakage.
- Individually cartoned.
- Manufactured for AGI in an ISO9002 facility.
- **Third party certified to NSF/ANSI 61&372.**
- Imported.

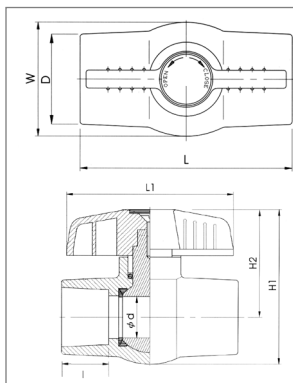


Certified to
ANSI-NSF 61 &
ANSI-NSF 372 Annex G



NO LEAD
< 0.25% Pb by
weighted avg
Third Party Certified
to NSF / ANSI 372

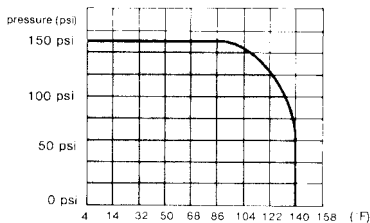
ISO 9002



HMIP TE/SE and T/S Series IPS DIMENSIONS (IN.)

SIZE	d	D	L	L1	I	H1	H2	W
1/2"	.55	1.17	3.24	2.73	.87	2.42	1.68	1.48
3/4"	.78	1.48	3.71	3.43	1.00	3.04	2.11	1.67
1"	.98	1.76	4.13	3.90	1.12	3.63	2.54	2.22
1 1/4"	1.17	2.11	4.45	3.90	1.25	3.82	2.61	2.46
1 1/2"	1.40	2.42	5.07	4.25	1.37	4.49	3.04	2.93
2"	1.82	3.00	5.74	5.23	1.50	5.27	3.47	3.59
2 1/2"	2.34	3.59	7.96	6.94	1.75	6.24	4.10	4.29
3"	3.00	4.13	8.93	8.74	1.88	7.41	4.84	5.19
4"	3.94	5.27	11.70	10.76	2.25	9.09	5.77	6.63

Relations Between Temperature and Pressure



CV (GPM/(1 lbf/in²)^{1/2}) Opening Rate: 90°

SIZE	CV
1/2"	14.5
3/4"	29.5
1"	48.0
1 1/4"	71.0
1 1/2"	135.0
2"	180.0
2 1/2"	225.0
3"	400.0
4"	865.9

WITH EPDM SEATS

Threaded

Slip



Part Number	Part Number	Size	Ctn Qty
HMIP50TE	HMIP50SE	1/2"	100
HMIP75TE	HMIP75SE	3/4"	100
HMIP100TE	HMIP100SE	1"	100
HMIP125TE	HMIP125SE	1 1/4"	100
HMIP150TE	HMIP150SE	1 1/2"	48
HMIP200TE	HMIP200SE	2"	24
HIMP250TE	HMIP250SE	2 1/2"	12
HMIP300TE	HMIP300SE	3"	12
HMIP400TE	HMIP400SE	4"	6

WITH PTFE SEATS

Threaded

Slip



Part Number	Part Number	Size	Ctn Qty
HMIP50T	HMIP50S	1/2"	100
HMIP75T	HMIP75S	3/4"	100
HMIP100T	HMIP100S	1"	100
HMIP125T	HMIP125S	1 1/4"	100
HMIP150T	HMIP150S	1 1/2"	48
HMIP200T	HMIP200S	2"	24



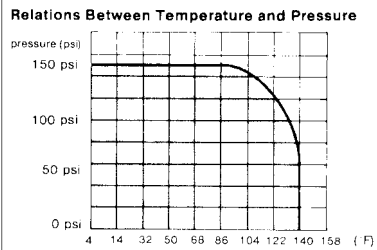
Certified
NSF/ANSI 61&372



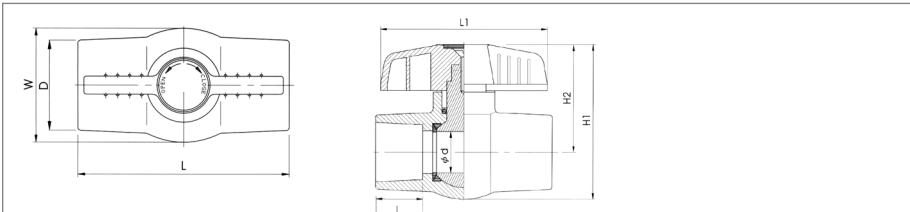
SCH 80 Series CPVC Molded-in-Place Ball Valve Features:

- Heavy duty thermoplastic CPVC construction for hot water use.
- NSF listed.
- Meets ASTM 2467 Schedule 80.
- CTS slip x slip - cream body, red handle.
- PTFE seats providing excellent chemical resistance.
- EPDM O-Ring stem seal.
- Working pressure 75 PSI at 180°F.
- Maintenance free compact design.
- Severe shock loads & misalignment stress are absorbed by the valve body, not the ball & seat, minimizing the chance of uneven wear & leakage.
- Individually cartoned.
- Imported
- **Third party certified to NSF/ANSI 372.**

MATERIAL SPECIFICATIONS	
Body	CPVC
Seat Seal	PTFE
Ball	CPVC
Stem Seal	EPDM
Handle	ABS
Bolt	Zinc Plated Steel
Cap	ABS



CV (GPM/(1 lbf/in ²) ^{1/2})	
Opening Rate: 90"	
SIZE	CV
1/2"	14.5
3/4"	29.5
1"	48.0



ECMIP "C" Series CTS DIMENSIONS (IN.)

SIZE	d	D	L	L1	I	H1	H2	W
1/2"	0.49	0.95	2.70	2.36	0.74	2.29	1.60	1.29
3/4"	0.72	1.26	3.31	2.78	0.89	2.86	2.03	1.65
1"	0.81	1.51	3.58	3.07	0.95	3.09	2.06	2.00

Part Number	Description	Master Ctn Qty
CPVC Ball Valve, Copper Tube Size, SLIP X SLIP		
ECMIP50C	1/2" SLIP X SLIP	160
ECMIP75C	3/4" slip x slip	80
ECMIP100C	1" slip x slip	60



ISO 9002

FLOWGUARD GOLD™
PIPE & FITTINGS

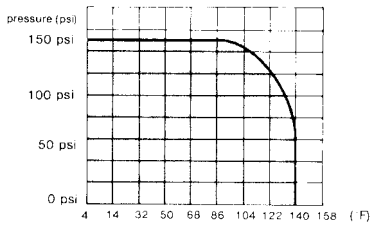
SCH 80 Series CPVC Molded-in-Place Ball Valve Features:

- Made with **Flo Guard Gold CPVC** material.
- Heavy duty thermoplastic CPVC construction for hot water use.
- NSF listed.
- Meets ASTM 2467 Schedule 80.
- CTS slip x slip - cream body, orange handle.
- PTFE seats providing excellent chemical resistance.
- EPDM O-Ring stem seal.
- Working pressure 75 PSI at 180°F.
- Maintenance free compact design.
- Severe shock loads & misalignment stress are absorbed by the valve body, not the ball & seat, minimizing the chance of uneven wear & leakage.
- Individually cartoned.
- Manufactured for AGI in an ISO 9002 facility.
- Imported
- **Third party certified to NSF/ANSI 61&372.**

MATERIAL SPECIFICATIONS

Body	CPVC
Seat Seal	PTFE
Ball	CPVC
Stem Seal	EPDM
Handle	ABS
Bolt	Zinc Plated Steel
Cap	ABS

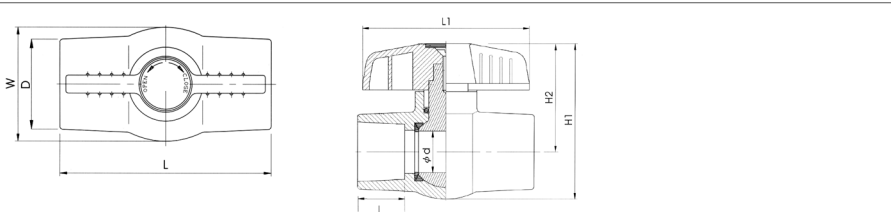
Relations Between Temperature and Pressure



CV (GPM/(1 lbf/in²)^{1/2})

Opening Rate: 90"

SIZE	CV
1/2"	14.5
3/4"	29.5
1"	48.0



CMIP "C" Series CTS DIMENSIONS (IN.)

SIZE	d	D	L	L1	I	H1	H2	W
1/2"	.47	.94	2.65	2.34	.50	1.91	1.33	1.21
3/4"	.55	1.17	3.24	2.73	.87	2.42	1.68	1.48
1"	.78	1.48	3.71	3.43	.90	3.04	2.11	1.91

Part Number	Description	Ctn Qty
-------------	-------------	---------

CPVC Ball Valve, Copper Tube Size, SLIP X SLIP

CMIP50C	1/2" SLIP X SLIP	100
CMIP75C	3/4" slip x slip	100
CMIP100C	1" slip x slip	100



PV1450 Series



PV1452, PV1453 Series

ISO 9002

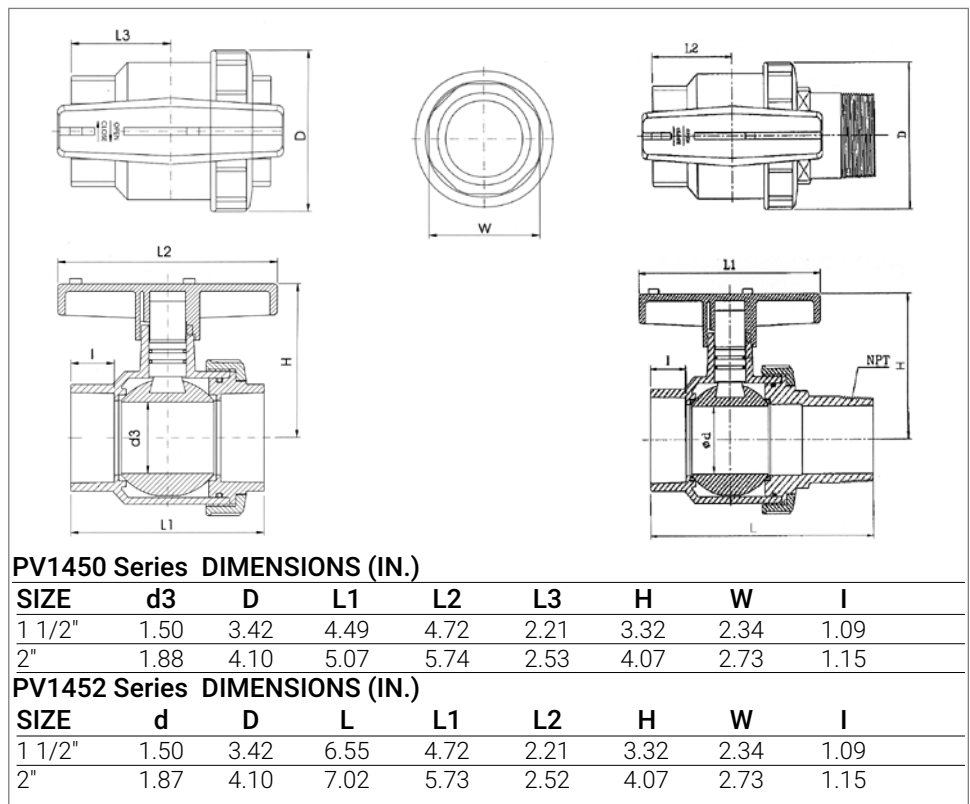


MATERIAL SPECIFICATIONS

Body	PVC
End Adapter	PVC
Union Nut	PVC
Ball	PVC
Stem	PVC
Handle	ABS
Union o-rings	EPDM
Seat Seals	PTFE
Stem o-rings	EPDM

PVC Single Union Ball Valve Features:

- PVC Type 1 construction for compatibility in joining rigid PVC and flex vinyl pipes.
- **PTFE seats.**
- **Double EPDM o-ring seal on stem: single EPDM o-ring seal on union end.**
- Fully round ball prevents foreign matter from scoring seats.
- Tee handle for quarter turn on/off with stops.
- Working pressure: 150 PSI at 72°F, 100 PSI at 120°F.
- Threaded or socket.
- Manufactured for AGI in an ISO 9002 facility.
- Imported



Part Number	Threaded/Slip	Size	Ctn Qty
PV1450-11/2	Slip	1-1/2"	48
PV1450-2	Slip	2"	24
PV1451-11/2	Threaded	1-1/2"	48
PV1451-2	Threaded	2"	24
PV1452-11/2	Slip x Extended MIP	1 1/2"	24
PV1452-2	Slip x Extended MIP	2"	24
PV1453-11/2	FPT x Extended MIP	1 1/2"	24
PV1453-2	FPT x Extended MIP	2"	12

Ball Valves - PVC Single Union



1350 Series



PVC Single Union Ball Valve Features:

- PVC Type 1 construction for compatibility in joining rigid PVC and flex vinyl pipes.
- **Buna "N" O-Ring seal; HDPE seats.**
- 1-1/4 deep sockets on both ends for extra cementing surface area.
- Tee handle for quarter turn on/off with stops.
- Working pressure: 150 PSI at 72°F.
- Threaded or socket.

Part Number	Threaded/Socket	Size	Ctn Qty
1350-15	Socket	1-1/2"	12



ITUV Series



SCH 80 PVC True Union Ball Valve Features:

- Heavy duty thermoplastic grey Sch 80 PVC (Type 1, Grade 1).
- Full port design.
- Available with either EPDM or Viton® o-ring stem, carrier and union seals.
- **PTFE** seats are resistant to chemical corrosion.
- 150 PSI working pressure at 73° water, non-shock.
- Working temperature -4°F to 140°F.
- Unique double union/double block design permits in-line maintenance without disconnecting pipe and with no special tools.
- Both ends are blocked with bayonet-style locks which prevents the ball from being blown out. Ball remains in place upon removal of valve.
- External adjustment for seat wear.
- Individually cartoned.
- Imported.

EPDM O-Rings

Socket Part Number	Threaded Part Number	Ctn Qty
ITUV50SE	ITUV50TE	48
ITUV75SE	ITUV75TE	36
ITUV100SE	ITUV100TE	24
ITUV125SE	ITUV125TE	24
ITUV150SE	ITUV150TE	24
ITUV200SE	ITUV200TE	12
ITUV250SE	ITUV250TE	12
ITUV300SE	ITUV300TE	6
ITUV400SE	ITUV400TE	1

VITON O-RINGS

Socket Part Number	Threaded Part Number	Ctn Qty
ITUV50SV	ITUV50TV	48
ITUV75SV	ITUV75TV	36
ITUV100SV	ITUV100TV	24
ITUV125SV	ITUV125TV	24
ITUV150SV	ITUV150TV	24
ITUV200SV	ITUV200TV	12
ITUV250SV	ITUV250TV	12
ITUV300SV	ITUV300TV	6
ITUV400SV	ITUV400TV	1

ADDITIONAL ENDS - SET OF 2 INCLUDED

Part Number	Part Number
ITUV50 SOCKET END	ITUV50 THREADED END
ITUV75 SOCKET END	ITUV75 THREADED END
ITUV100 SOCKET END	ITUV100 THREADED END
ITUV125 SOCKET END	ITUV125 THREADED END
ITUV150 SOCKET END	ITUV150 THREADED END
ITUV200 SOCKET END	ITUV200 THREADED END
ITUV250 SOCKET END	ITUV250 THREADED END
ITUV300 SOCKET END	ITUV300 THREADED END
ITUV400 SOCKET END	ITUV400 THREADED END

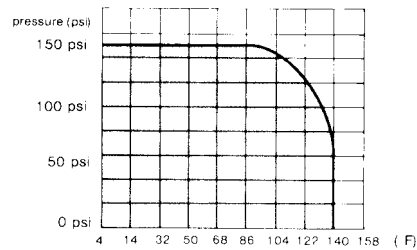
ITUV Series PVC True Union Ball Valve Specifications:



MATERIAL SPECIFICATIONS:

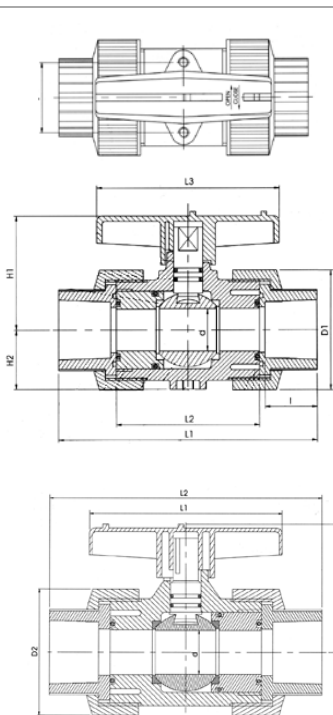
Part	Material
Body	PVC
Stem o-ring	EPDM or Viton
Stem	PVC
Ball	PVC
Seat Seal	PTFE
Carrier o-ring	EPDM or Viton
Seal Carrier	PVC
Union o-ring	EPDM or Viton
End Connector	PVC
Union Nut	PVC
Handle	ABS
Inserted Nut	C3604 (on 1/2" - 2" only)

Relations Between Temperature and Pressure



CV (GPM/(1 lbf/in²)^{1/2})
Opening Rate: 90°

SIZE	CV
1/2"	7.39
1"	25.16
1 1/4"	43.22
1 1/2"	60.21
2"	101.56
2 1/2"	170.39
3"	
4"	906.95



ITUV Series

1/2" thru 2" DIMENSIONS (IN.)

SIZE	d	D1	L1	L2	L3	H1	H2
1/2"	.51	1.76	4.33	2.347	3.04	1.87	--
3/4"	.70	2.15	5.07	2.85	3.59	2.26	1.01
1"	.90	2.57	5.66	3.04	3.90	2.54	1.29
1 1/4"	1.17	3.16	6.44	3.39	4.29	2.95	1.48
1 1/2"	1.48	3.74	6.67	3.59	4.72	3.43	1.64
2"	1.87	4.64	7.80	4.37	5.73	4.19	2.07

ITUV Series

2 1/2" thru 4" DIMENSIONS (IN.)

SIZE	d	D2	L1	L2	H
2 1/2"	2.34	5.30	7.08	10.73	4.64
3"	2.69	6.08	9.32	11.70	5.03
4"	3.90	8.74	10.84	12.79	6.86



VSGV Uni-Body



VSGV 3 piece body



VSGV 3 piece body
with union

PVC Slice Gate Valve Features:

- Designed for pool & spa, irrigation, plumbing, waste water and agricultural applications.
- Stainless steel shaft prevent rust and corrosion.
- Ozone & chemical resistant Santoprene™ materials.
- Santoprene™ seals are integrated to the paddle to eliminate any chance of torn or punctured gaskets.
- Maximum working pressure 50 psi (through 2").
- Solvent cement traps to catch excess glue.
- Every valve tested at double recommended working pressure.
- Valterra's patent pending triple o-ring neck seal to ensure against any chance of shaft leakage.



Unibody Design

- One piece uni-body design.
- Combination socket ID x spigot OD for installation flexibility.
- Locking handle provides positive shut-off and easy gate opening.

3 Piece body

- Three piece configuration allows for repair or can be used as a union.
- Three piece configuration easily disassembles for inline service.

Part Number	Description	Max PSI	Ctn Qty
Uni-Body			
VSGV2101	1 1/2" slip x slip	45	30
VSGV2201	2" slip x slip	40	20

* Unibody 2" slip hubs are 2" slip or 2 1/2" spig

Three Piece Body

VSGV150SL	1 1/2" slip x slip	45	30
VSGV150FIPTXMIPT	1 1/2" fipt x mipt	45	40
VSGV150SLU	1 1/2" slip x union slip	45	38
VSGV150SD	1 1/2" step down pool hose x mipt ABS		40
VSGV200SL	2" slip x slip	40	20
VSGV200SP	2" slip x spigot	40	34
VSGV300SL	3" slip x slip	30	15
VSGV400SL	4" slip x slip w/ metal handle	20	6
VSGV600SL	6" slip x slip w/ stainless handle	10	1
VSGV800SL	8" slip x slip w/ stainless handle	10	1
VSGV1000SL	10" slip x slip w/ stainless handle	10	1
VSGV1200SL	12" slip x slip w/ stainless handle	10	1



PVC Slice Gate Valve Features:

- One piece "Uni-Body" PVC Construction. Guaranteed NO HUB LEAKS or loose bolts.
- 1/4 turn "Cam-Lock" for 100% shut-off..
- Internal "snap-lock" feature ensures valve will remain totally open, providing 100% flow with no restriction.
- Stainless steel shaft prevents rust and corrosion.
- Glass filled poly-pro tapered gate design for 100% sealing.
- Integrally molded seal on gate. - No pinched or torn gaskets.
- Seals are "Santoprene" that have been impregnated with a permanent lubricant. Never needs lube yet will provide continuous smooth operation. Ozone and chemical resistant for much longer life.
- Santoprene buttons on gate provides smooth operation without sticking.
- Every valve water tested at 100PSI and random quick burst tested at 400 PSI. Virtually no chance of leaky valves in the field at standard operating pressures.
- Maximum recommended operating pressure is 50 PSI.
- Glue wells on all slip-socket configuration catches excess glue during plumbing.
- Constructed and tested for use in pool & spa applications.
- Made in USA



SGV - SL Series



SGV-SP and SGV-SLU Series

Part Number	Size	Description	Ctn/Case Qty
SGV150SL	1 1/2"	Slip x Slip	14/56
SGV200SL	2"	Slip x Slip	12/48
SGV250SL	2 1/2"	Slip x Slip	5/20
SGV150SP	1 1/2"	Slip x Spigot	14/56
SGV200SP	2"	Slip x Spigot	12/48
SGV150SLU	1 1/2"	Slip x Slip with Union	10/40
SGV200SLU	2"	Slip x Slip with Union	10/40



HBFV Series

Ductile Iron Butterfly Valve Features:

- Designed for swimming pool, irrigation and water systems.
- Wafer body features 4 alignment holes.
- Lever lock handle (spring loaded) provides excellent manual control for balancing or shut off services.
- Notched throttling plate allows balancing in 10° increments in any position desired within 90° arc rotation of the disc.
- Positive bubble-tight shutoff with minimum torque.
- Seat face eliminates need for flange gaskets.
- Phenolic backed seats prevent collapse, are stretch resistant, blowout proof and field replacable.
- **EPDM seats** temperature rated at -30°F to 275°F.
- 420 stainless steel shaft
- Bidirectional dead-end capability for 250 psi (2" - 12").
- Compatible with ANSI 125/150 flanges.
- Designed to comply with MSS SP-67 and API 609.
- **Ductile iron, ENP plated disc.**
- Third party certified no-lead.
- Imported



HBFV GEAR Series

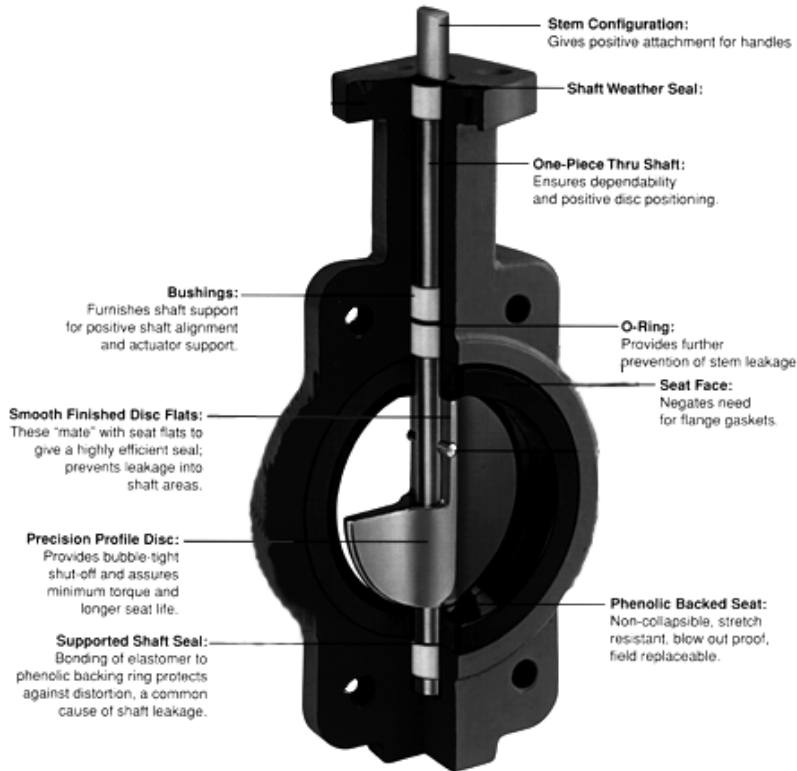
Part No.	Size	Weight(lbs)	Ctn Qty
Ductile Iron ENP Plated Disc			
HBFV2	2"	7	1
HBFV2 1/2	2-1/2"	8	1
HBFV3	3"	10	1
HBFV4	4"	12	1
HBFV5	5"	15.5	1
HBFV6	6"	17.5	1
HBFV8	8"	33	1
HBFV10	10"	50	1
HBFV12	12"	74	1

Ductile Iron ENP Plated Disc - GEAR DRIVE

HBFV6-GEAR	6"	28.5	1
HBFV8 GEAR	8"	54	1

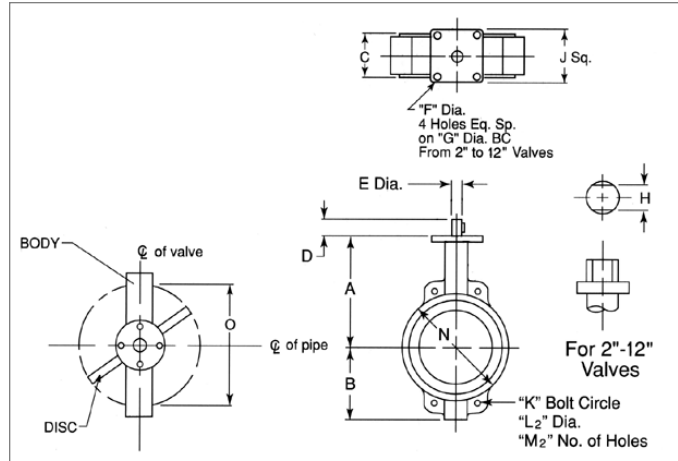
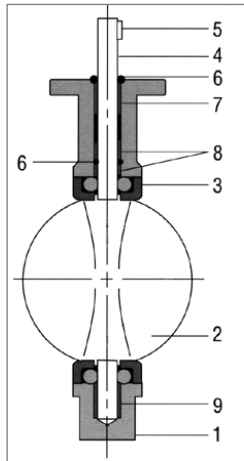
Flanges & Bolt kits available, see page 3.30

Butterfly Valves - Ductile Iron



MATERIAL SPECIFICATIONS

No.	Part	Material
1	Body	Ductile Iron
2	Disc	Ductile Iron
3	Seat	EPDM
4	Shaft	420 Stainless Steel
5	Key	Carbon Steel
6	O-ring	EPDM
7-9	Bushing	Nylon



SIZE \ DIMENSION (in) for HBFV Series

	A	B	C	D	E	F	G	H	J	K	L ₂	M ₂	N	O
2"	5.51	2.44	1.64	1.26	.50	.375	2.76	.39	2.75	4.75	.75	4	4.75	2.12
2 1/2"	6.02	2.76	1.75	1.26	.50	.375	2.76	.39	2.75	5.5	.75	4	5.50	2.57
3"	6.26	2.89	1.75	1.26	.50	.375	2.76	.39	2.75	6.0	.75	4	6.00	3.14
4"	7.01	4.49	2.00	1.26	.625	.375	2.76	.47	2.75	7.50	.75	4	7.50	4.13
5"	7.50	4.79	2.13	1.26	.75	.375	2.76	.55	2.75	8.50	.87	4	8.50	5.12
6"	8.01	5.55	2.12	1.26	.75	.375	2.76	.55	2.75	9.50	.87	4	9.50	6.13
8"	9.50	6.85	2.50	1.26	.875	.438	4.02	.67	3.75	11.75	.87	4	11.75	8.15
10"	10.75	8.19	2.50	1.58	1.125	.438	4.02	.87	3.75	14.25	1.00	4	14.29	9.98
12"	12.25	9.53	2.99	1.58	1.125	.438	4.02	.95	3.75	17.00	1.00	4	17.00	11.89

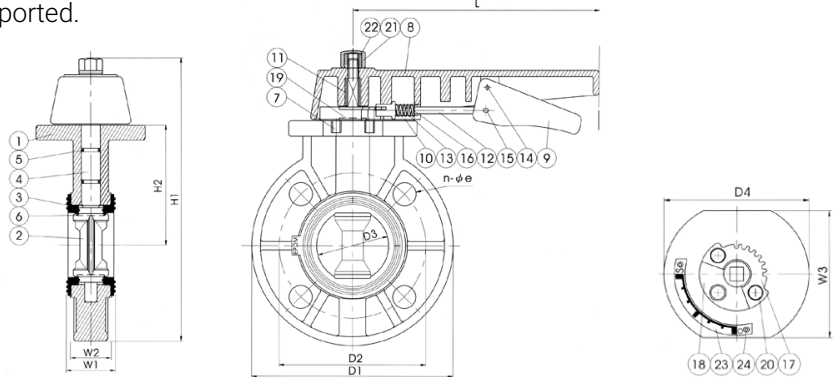


PBFV Series

ISO 9002

PVC Sch 80 Butterfly Valves Features:

- 150 PSI working pressure.
- PVC body, polypropylene disc, and EPDM seat and o-ring.
- Flanged end design.
- Corrosion resistant.
- Excellent flow characteristics.
- Ideally suited for flow control in a minimum piping space.
- Clear indication of disc opening degree.
- Built in seat requires no additional gaskets between flanges.
- Manufactured for AGI in an ISO 9002 facility.
- Imported.



MATERIAL SPECIFICATIONS

No.	Part	Material	Qty
1	Body	PVC	1
2	Disc	PP	1
3	Seat Seal	EPDM	1
4	Stem	SS 410	1
5	O-ring	EPDM	2
6	O-ring	EPDM	2
7	Inserted Nut	SS 41	3
8	Large Handle	ABS	1
9	Small Handle	ABS	1
10	Spring Lock	ABS	1
11	Handle Insert	SS	1
12	Handle Lever	SS 304	1
13	Spring	SS 304	1
14	Spring Pin	SS 304	1
15	Spring Pin	SS 304	1
16	Washer	SS 304	1
17	Locking Plate	SS 304	1
18	Gear Seat	PP + GF	1
19	Washer	SS 304	1
20	Bolt	SS 304	3
21	Nut	PVC	1
22	Insert Nut	C3604	1
23	Level	SS 304	1
24	Rivet	SS	2

DIMENSIONS \ SIZE (in)

	2"	2 1/2"	3"	4"	5"	6"	8"
D1	6.44	7.22	7.80	8.93	9.98	11.12	13.38
D2	4.70	5.44	5.94	7.43	8.42	9.42	11.64
D3	2.20	2.71	3.10	4.01	5.11	6.02	7.91
D4	4.13	4.66	4.84	5.26	6.40	6.64	7.84
L	7.92	7.92	7.92	9.91	11.86	11.86	11.86
H1	9.59	10.37	10.76	12.40	15.21	15.80	18.17
H2	4.02	4.41	4.49	5.27	5.85	6.90	8.19
W1	1.67	1.85	1.85	2.23	2.57	2.88	3.41
W2	1.35	1.45	1.45	1.83	2.22	2.53	3.06
W3	3.67	3.67	3.66	3.89	4.31	3.93	4.76
n-øe	.741	.741	.741	.741	.858	.858	.858

Part Number

Description

Ctn Qty

PBFV2	2" PVC Butterfly valve	4
PBFV21/2	2 1/2" PVC Butterfly valve	4
PBFV3	3" PVC Butterfly valve	4
PBFV4	4" PVC Butterfly valve	4
PBFV5	5" PVC Butterfly valve	4
PBFV6	6" PVC Butterfly valve	4
PBFV8	8" PVC Butterfly valve	1

Replacement handles

PBFV2 HANDLE	2" PVC valve handle	1
PBFV21/2 HANDLE	2 1/2" PVC valve handle	1
PBFV3 HANDLE	3" PVC valve handle	1
PBFV4 HANDLE	4" PVC valve handle	1
PBFV5 HANDLE	5" PVC valve handle	1
PBFV6 HANDLE	6" PVC valve handle	1
PBFV8 HANDLE	8" PVC valve handle	1

CV (GPM/(1 lbf/in²)^{1/2})

Opening Rate: 90"

SIZE	CV
2"	100.87
2 1/2"	137.82
3"	224.08
4"	409.51
5"	523.92
6"	1243.00

PVC Sch 80 Van Stone Flange Features:

- Two-piece van stone socket style.
- Class 150, Schedule 80
- Improve the security and safety of connections between pipes, valves & fittings.
- Imported - Manufactured for AGI in an ISO 9002 facility.

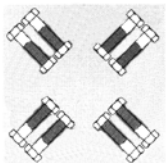


PF Series

ISO 9002

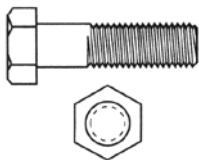
	DIMENSIONS \ SIZE (in)						
	2"	3"	4"	6"	8"	10"	12"
D1	5.93	7.49	8.93	11.08	13.38	15.83	18.76
D2	4.72	5.93	7.45	9.40	11.62	14.12	16.85
D3	2.96	4.21	5.19	7.45	9.28	12.09	14.20
d	1.99	3.00	3.98	6.08	7.96	9.98	11.97
d1	2.35	3.46	4.45	6.55	8.53	10.64	12.62
d2	2.37	3.48	4.48	6.59	8.57	10.68	12.67
H	1.68	2.11	2.50	3.32	4.60	5.85	7.45
T	.78	1.01	1.09	1.25	1.40	1.64	1.64
l	1.49	1.86	2.23	2.97	3.98	4.80	6.44
n-oe	.741	.741	.741	.858	.858	.936	.975

Part Number	Description	Ctn Qty
PF2	2" Flange	60
PF2 1/2	2 1/2" Flange	36
PF3	3" Flange	30
PF4	4" Flange	20
PF6	6" Flange	10
PF8	8" Flange	4
PF10	10" Flange	2
PF12	12" Flange	2



Bolt Kit Features:

- For use with cast iron & PVC butterfly valves. BF8200, HBFV and PBFV Series
- ASTM-A307 grade zinc plated carbon steel bolts and A563 finished nuts.
- Washers and Gaskets NOT included- Available upon request.



BBK Series

Part Number	Valve Size	Bolt Size	Bolts/Kit	Ctn Qty
BBK2	2"	5/8" x 5"	4	16
BBK2.5/3	2 1/2" and 3"	5/8" x 5 1/2"	4	16
BBK4	4"	5/8" x 6"	8	8
BBK5/6	5" and 6"	3/4" x 6 1/2"	8	8
BBK8	8"	3/4" x 7"	8	8
BBK10	10"	7/8" x 7 1/2"	12	3
BBK12	12"	7/8" x 8 1/2"	12	3

Red Rubber Gasket Features:

- For use with butterfly valves, Sch 80 flanges
- Red rubber, 150 lbs., 1/8" full face.



GSK Series

Part Number	Valve Size	Part Number	Valve Size
GSK1 1/2R	1 1/2"	GSK5R	5"
GSK2R	2"	GSK6R	6"
GSK2 1/2R	2 1/2"	GSK8R	8"
GSK3R	3"	GSK10R	10"
GSK4R	4"	GSK12R	12"

Butterfly Valve Installation Kits Features:

- Everything needed for a quick, easy butterfly valve installation.
- Available with PVC Sch 80 or Ductile Iron butterfly valves.
- Custom kits available upon request.



PBVIK Series

PVC Butterfly Valve Installation Kit Includes:

- One PBFV Series PVC Sch 80 Butterfly valve.
- Two PF Series PVC Sch 80 Van Stone flanges.
- Two red rubber GSK gaskets.
- Bolt kit with steel nuts and bolts.
- Steel washers.

Part Number	Size	Number of Nuts/Bolts	Number of Washers	Ctn Qty
PBVIK2	2" Kit	4	8	1
PBVIK2 1/2	2 1/2" Kit	4	8	1
PBVIK3	3" Kit	4	8	1
PBVIK4	4" Kit	8	16	1
PBVIK6	6" Kit	8	16	1
PBVIK8	8" Kit	8	16	1



PHBFV Series

Ductile Iron Butterfly Valve Installation Kit Includes:

- One HBFV Series Ductile Iron Butterfly valve.
- Two PF Series PVC Sch 80 Van Stone flanges.
- Bolt kit with steel nuts and bolts.
- Steel washers.
- Rubber gaskets NOT included. (Extended EPDM seat on the HBFV valve acts as gasket seal with flange.)



Part Number	Size	Number of Nuts/Bolts	Number of Washers	Ctn Qty
PHBFV2NG	2" Kit	4	8	1
PHBFV3NG	3" Kit	4	8	1
PHBFV4NG	4" Kit	4	8	1
PHBFV6NG	6" Kit	4	8	1
PHBFV12NG	12" Kit	4	8	1*

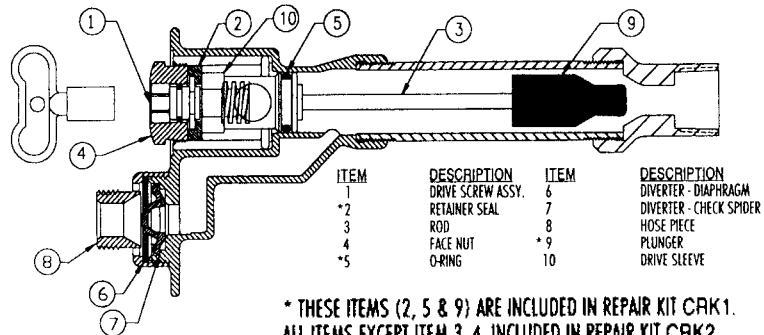
* Shipped in two cartons

Wall Hydrants - Commercial


CLAYTON MARK


WALL HYDRANT REPLACEMENT PARTS ONLY

- We no longer offer commercial wall hydrant units, but do offer replacement part kits for Clayton Mark Model 6500 series units.
- Items 2, 5 & 9 are included in minor repair kit CRK1
- All items except 3 & 4 are included in major repair kit CRK2


CAUTION
DO NOT USE WITH
POTABLE WATER


* THESE ITEMS (2, 5 & 9) ARE INCLUDED IN REPAIR KIT CRK1.
ALL ITEMS EXCEPT ITEM 3, 4 INCLUDED IN REPAIR KIT CRK2.
OPERATING KEY INCLUDED IN BOTH REPAIR KITS.

Part Number	Description	Ctn Qty
Wall Hydrant Repair Kits		
CRK1	Repair Kit I (Minor)	1
CRK2	Repair Kit II (Major)	1